



CLINIO 624CW

C624CW, C624CWT

DATASHEET

DS-EN-C624CW

**GENERAL DEVICE DATA**

Model description	CLINIO 624CW
Item/model number	C624CW: Basic model CLINIO 624CW C624CWT : CLINIO 624CW with touch control
Sales/Service	Rein Medical GmbH
Manufacturer name	Rein Medical GmbH
Type	All in one computer
Type description	Medical all-in-one computer for use in patient environments used for medical purposes, such as an operating room
Application areas	RIS, HIS, PACS, endoscopy, video management
Product dimensions (W x H x D)	402 x 577 x 76 mm
Mounting	VESA 100
Weight	8 kg (depending on configuration)
IP protection type	Optionally prepared for installation with IP54 or IP65 protection
Enclosure material	Aluminium
Glass type	Protective glass
Anti-reflective coating	chemical
Touch display	Optional capacitive multi-touch display (PCT)
Controls	COMMAND BAR touch control
COMMAND BAR controls	PC standby, PC reset, Monitor on/off, Touch on/off, Keylock
Mean time between failures (MTBF)	40,000 hours
Enclosure colour	RAL 9010 / pure white (special colours at customer request, see delivery documentation), Steridur hygiene coating
Warranty	2-year bring-in warranty
Package contents	Manual CLINIOMounting hardwareVarious IP-54 cable sleevesEU power supply cable

**POWER SUPPLY**

Power supply	AC 100 – 240 V ±10% (50/60 Hz)Optional 12 V DC input (4-pin XLR) for external power supply unit
External power supply unit (optional)	External 12 V power supply unit (4-pin XLR) (HPU150A-105)
DC output (optional)	5 V max. 2 A, 12 V max. 1 A

**POWER CONSUMPTION**

Maximum	max. 90 VA at full power at 220 V without optional DC-out module, with touch control: max. 114 VA at full power at 220 V with max. load on optional DC-out module
Standby mode	max. 1 VA

**ENVIRONMENTAL CONDITIONS DURING OPERATION:**

Temperature	0 to 35° C
Humidity	30 to 90% RH (non-condensing)
Barometric pressure	701 to 1013 hPa

**ENVIRONMENTAL CONDITIONS FOR STORAGE/TRANSPORT:**

Temperature	-10 to +60° C
Humidity	30 to 90% RH (non-condensing)
Barometric pressure	266 to 1013 hPa

**PC PROPERTIES**

CPU	Intel Core i5-9500TE, 9. Generation (optional i7-9700TE, others on request)
Chipset	Intel® Q370 Express Chipset
RAM	8 GB DDR4 SDRAM PC2666 (up to 32 GB DDR4 SDRAM (optional)
Graphics	Intel® HD Graphics DX12
Multi-monitor support	The image can be displayed on up to three monitors
Hard disk	240 GB m.2 SATA 3.1 SSD 3D TLC NAND (other capacities or technologies available (optional)
LAN	2x Intel i219LM/i210AT gigabit Ethernet (RJ45), 10/100/1000 Mbps, 1x AMT 12.0/vPRO support, Infinion TPM 2.0, PXE support, visually decoupled RJ-45 ethernet adapter (optional)
Optical drive	-
Audio	Realtek ALC671, 5.1-channel high-definition audio codec
Ports	1 x DVI-D, 2 x DisplayPort V1.2, 2 x COM Port (1 x RS-232, 1 x RS-232/-422/-485), PS/2 Mouse, PS/2 Keyboard, 4x USB 2.0, 2x USB 3.1 Gen1, 2x USB 3.1 Gen2, 1x USB 3.1 Gen1 extern, Audio in, Audio out
Extension	1x Mini-PCIe, 1x M.2 Key-M, (optional 1x PCI-Express x16 (Gen3) or 2x PCI-Express x8)
Operating system	Microsoft Windows or Linux operating system optionally preinstalled

**WIRELESS LAN PROPERTIES (OPTIONAL)**

Module type	Intel® Dual Band Wireless 6 AX200
Wireless network standard	IEEE 802.11-2016, IEEE 802.11a/b/g/n/ac/ax, 802.11d, 802.11e, 802.11h, 802.11i, 802.11h, 802.11w, 802.11r, 802.11k, 802.11v
Roaming	yes, (802.11b, 802.11g, 802.11a/b/g, 802.11a/b/g/n, 802.11ac and 802.11ax)
Certificate	Wi-Fi CERTIFIED
Band	Dual Band (2x2) 2.4 GHz, 5 GHz (160 MHz)
Transfer rate	max. 2.4 Gbps (160 MHz)
Security/encryption	WPA, WPA2, WPS, PMF, 802.1x, EAP-SIM, EAP-AKA/64-bit and 128-bit WEP, AES-CCMP, TKIP
WPA specifications	WPA 1/2 PSK (WPA Home), WPA 1/2 801.1x (WPA Enterprise)
Antenna	Integrated 2 x antenna
Radiation pattern:	Omnidirectional
TX/RX streams	2 x 2
Bluetooth® module	Intel® Dual Band Wireless-AX 200
Bluetooth® standard	Dual Mode Bluetooth® 5, BLE 2.1+EDR, 3.0, 3.0+HS, 4.0 (BLE)

**BARCODE SCANNER PROPERTIES (OPTIONAL)**

Sensor	Proprietary CMOS sensor with global shutter and 844 x 640 pixel resolution; 60 frames per second
Lighting	617 nm visible red LED light
Sensing light	528 nm visible green LED light
Movement tolerance	Up to 584 cm (230") per second in total darkness with 100% UPC at a distance of 10 cm (4")
Optical field of vision	42.4° (horizontal), 33.0° (vertical)
Scan angle	Incline: 360°, pitch: +/- 45°, tilt: +/- 65°
Symbol contrast	20% minimum reflection
Symbologies	Linear: UPC/EAN/JAN, GS1 Databar, Code 39, Code 128, Code 32, Code 93, Codabar/NW7, Interleaved 2 of 5, Code 2 of 5, Matrix 2 of 5, MSI, Telepen, Trioptic, China Post; 2D Stacked: PDF417, MicroPDF417, GS1 Composite: 2D Matrix: Aztec Code, Data Matrix, QR Code, Micro QR Code, MaxiCode, Han Xin Code; Postal: Intelligent Mail Barcode, Postal-4i, Australian Post, British Post, Canadian Post, Japanese Post, Netherlands (KIX) Post, Postnet, Planet Code; OCR Option: OCR-A, OCR-B, E13B (MICR)

**DISPLAY PROPERTIES**

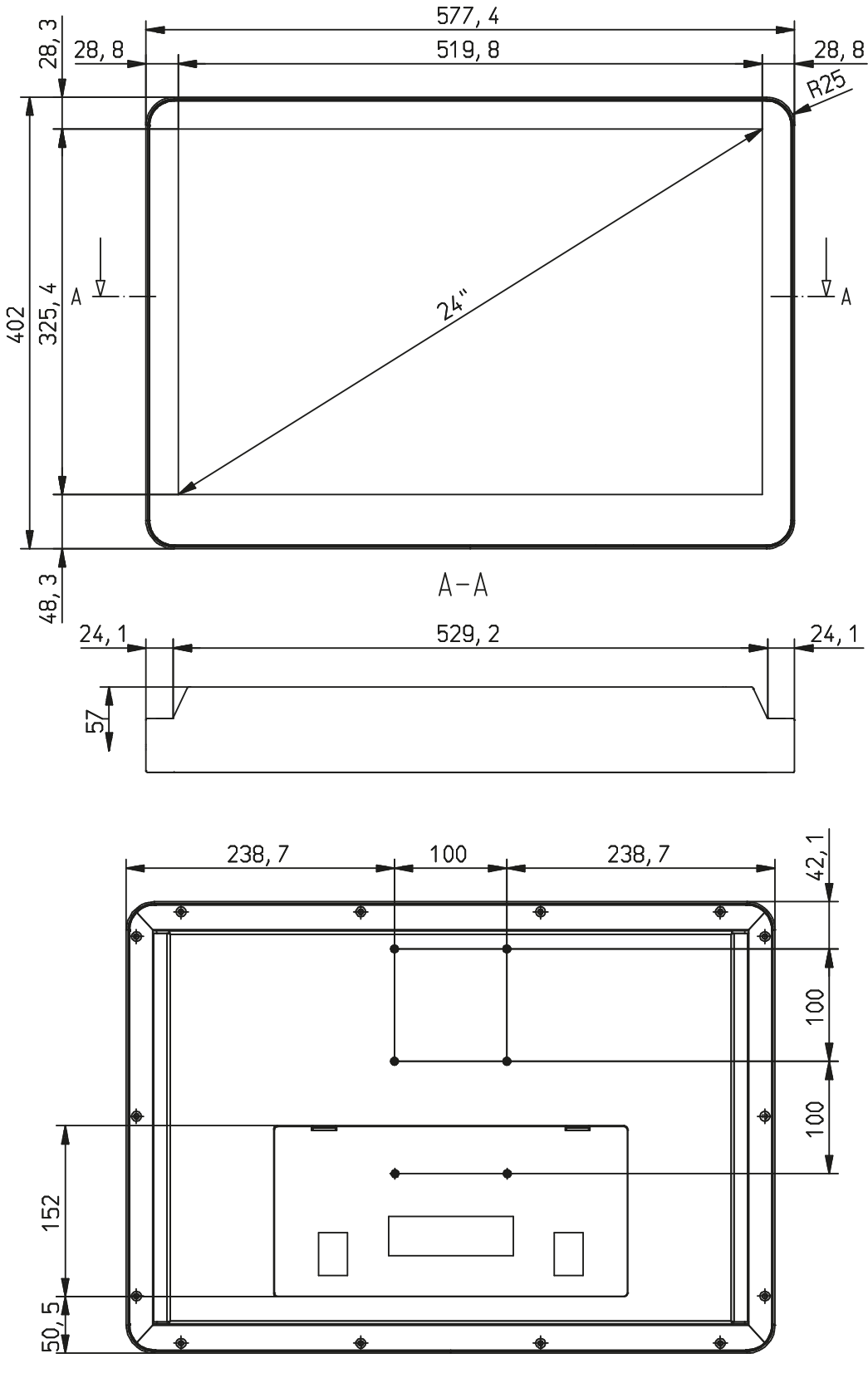
Display size	61 cm (24")
Panel technology	Active Matrix LCD-TFT
Visible area (H x W)	324 x 518.4 mm
Pixel pitch (H x W)	0.27 x 0.27 mm
Viewing angle (V x H)	178°/178°
Maximum panel brightness	300 cd/m <sup>2</sup>
Contrast ratio	1000: 1
Response time	14 msGrey-to-grey
Colour range	16.7 million
Colour depth	8 bit
Greyscales	256
Display norm	WUXGA
Resolution (horizontal x vertical)	1920 x 1200
Aspect ratio	16:10
Backlight	LED
Backlight life	30,000 hours
Pixel defect class	Class II (ISO 9241-307)

**STANDARDS**

Protection class in accordance with IEC 61140	Class I
EU Conformity	Medical device in accordance with CE (MDD 93/42/EEC), Class I
MDD classification	Class 1 in accordance with 93/42/EEC Annex IX Article 12
UMDNS	Computer (10-977)
GMDN	Computer, desktop (38452)
Hygienic properties	The device is certified by Prof. R. Mutters, Institute for Medical Microbiology and Hygiene, Philipps-Universität Marburg, Germany. To disinfect the device, use an alcohol-based fast-acting disinfectant suitable for medical devices and materials. Rein Medical recommends the following or equivalent alcohol-based products from the list of disinfectants published by the VAH (Association for Applied Hygiene)/DGKH (German Society for Hospital Hygiene): Terralin liquid® fast-acting disinfectant (contact time of 30 seconds) Terralin protect® surface disinfectant (contact time of ten minutes) Germicidal coated housing
Product safety	EN 60601-1:2006 + Cor. :2010 + A1:2013, IEC 60601-1:2005 + Cor. :2006 + Cor. :2007 + A1:2012
Electromagnetic compatibility	EN 60601-1-2:2015, IEC 60601-1-2:2014
Immunity	EN 61000-4-2, EN 61000-4-3, EN 61000-4-4, EN 61000-4-5, EN 61000-4-6, EN 61000-4-11
Emission	EN 55032 Class B, IEC/CISPR 32, EN 61000-3-2, EN 61000-3-3
WEEE category	Category 2 (display measuring > 100 cm²)

**MEDICAL SPECIFICATIONS**

Security Officer for medical devices in accordance with §31 of the German Act on Medical Devices (MPG)	+49 (0) 216 1 69 84 0 sibemp@reinmedical.com
DIMDI registration number:	DE/CA20/14 - Rein Medical - 07/01
Specific rules according to MedBetreibV (Annex 1/2)	none
Applied part in accordance with EN IEC 60601-1	Type: B
Treatment unit/system in accordance with EC directive 93/42/EEC	The device is not a treatment unit/not a system
Device/system collects patient data in accordance with Federal Data Protection Law	no
Use in explosion-proof areas in accordance with the ATEX directive 2014/34/EU	no
STK/MTK in accordance with §6 of the Medical Devices Operator Ordinance (MPBetreibV)	no specific manufacturer specifications
Manufacturer induction obligation	None required. See manual. The operator is obliged to provide training to operating staff.



## Contactgegevens All Modul



Albert Dehemlaan 31  
8900 Ieper  
T: + 32 57228181  
F: + 32 57208933  
www.allmodul.be  
info@allmodul.be



10 Rue Michel Servet  
59000 Lille  
T: + 33 328 501 840  
F: + 33 328 501 774  
www.allmodul.fr  
info@allmodul.fr



Damzigt 13  
3454 PS De Meern  
T: + 31 (0)30 2040260  
F: + 31 (0)30 2040261  
www.allmodul.nl  
info@allmodul.nl