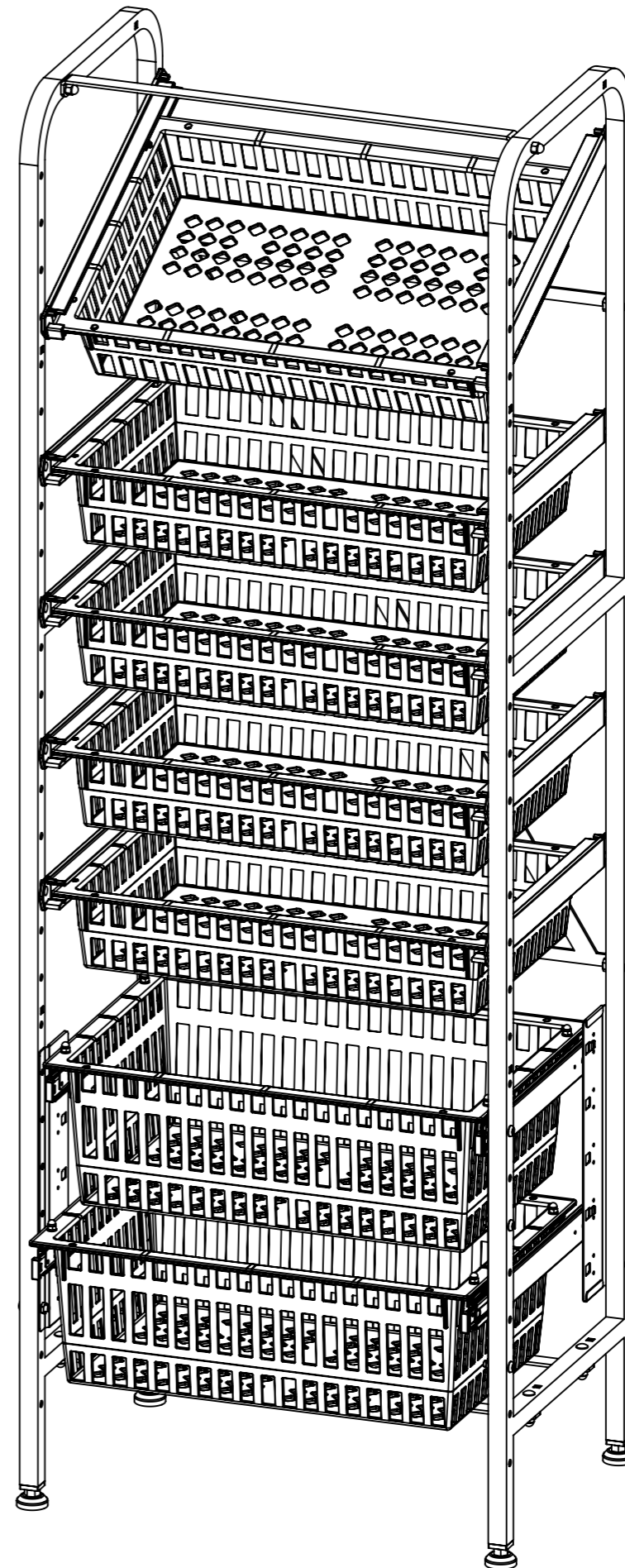
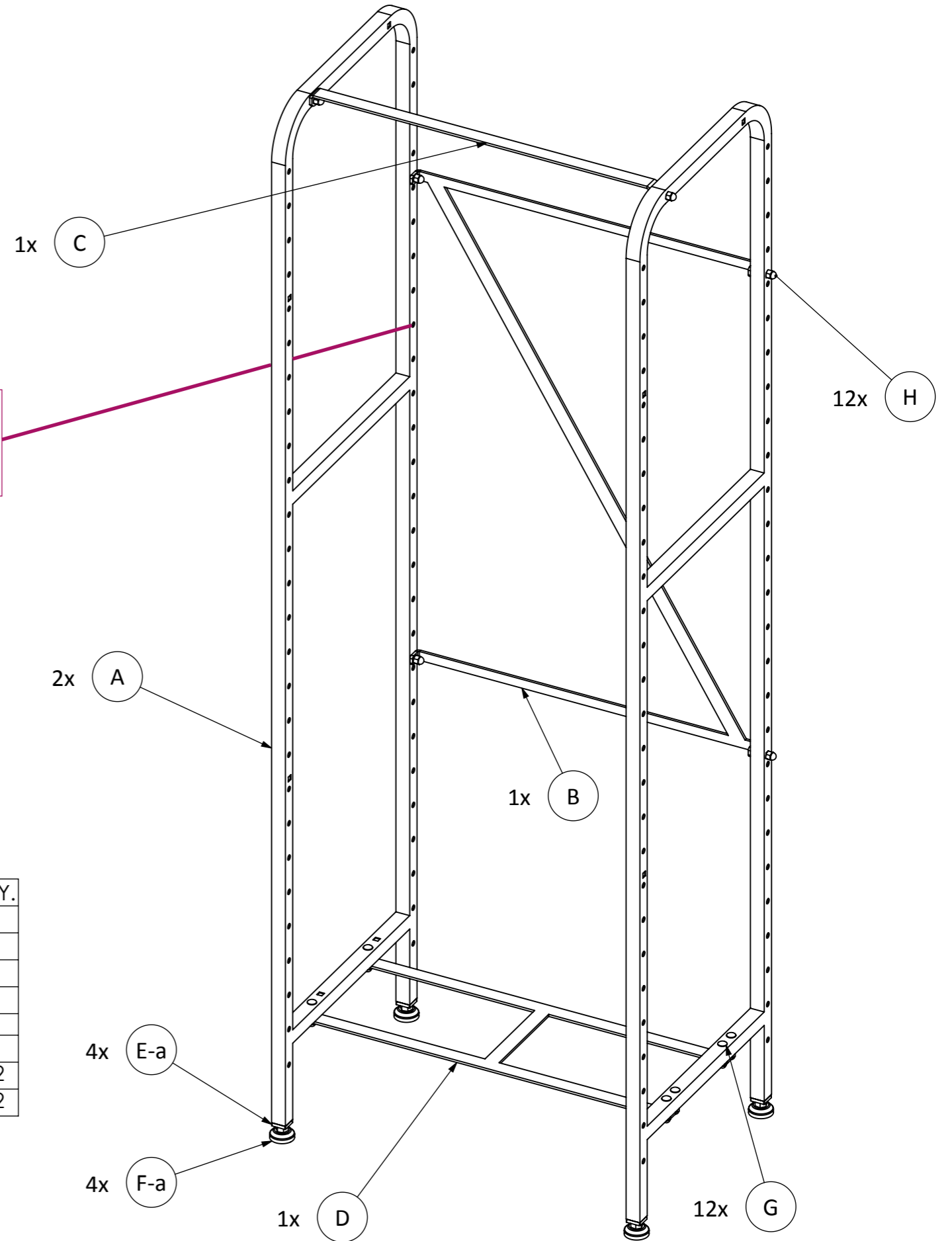


# Montagehandleiding Frame Rack *modulaire stelling*



**Let op:** Zorg ervoor dat de ovale gaten zich aan de achterzijde van de stelling bevinden



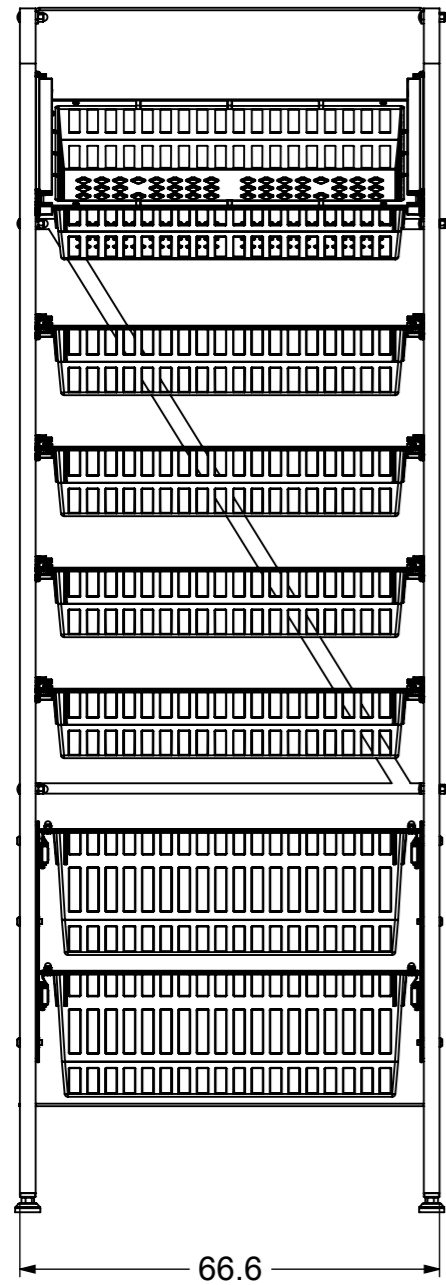
**IN CASE OF REGULAR FEET INSTALLATION:**

ITEM NO.	PART NUMBER	DESCRIPTION	QTY.
A	F74-E / F74-U	Frame (26"W*18"D*74"H)(E Type) / Frame (18"W*26"D*74"H) (U type)	2
B	Z-EU / Z-US	Z piece for EU / US frame	1
C	I-EU / I-US	I piece for EU / US frame	1
D	H-EU / H-US	H piece for EU / US frame	1
E-a	FRINS-LF	Plastic insert for leveling feet	4
F-a	LEVFEET	Leveling feet	4
G	ASME B18.5_SAE J429	3/8"-16 X 1-3/4 Carriage Bolt	12
H	DIN 1587 - 3_8	3/8" Hexagon domed cap nut-steel	12

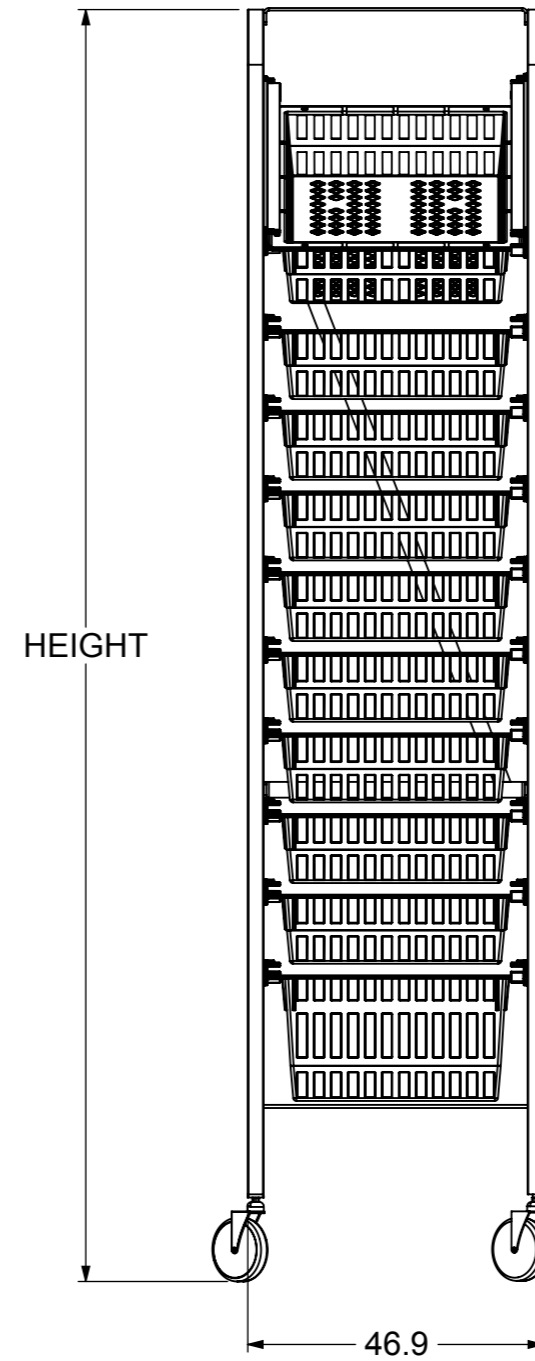
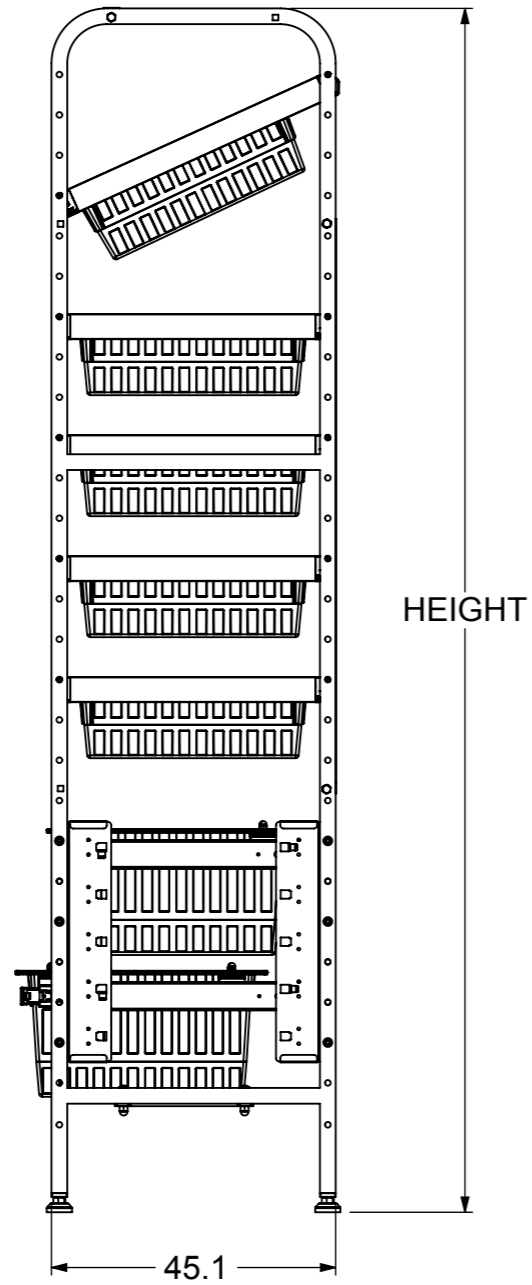
**IN CASE OF WHEELS INSTALLATION:**

ITEM NO.	PART NUMBER	DESCRIPTION	QTY.
E-b	FRINS	Plastic insert frame wheel	4
F-b	CAS3-FF-WL	3" Caster w/Brake Swivel	4

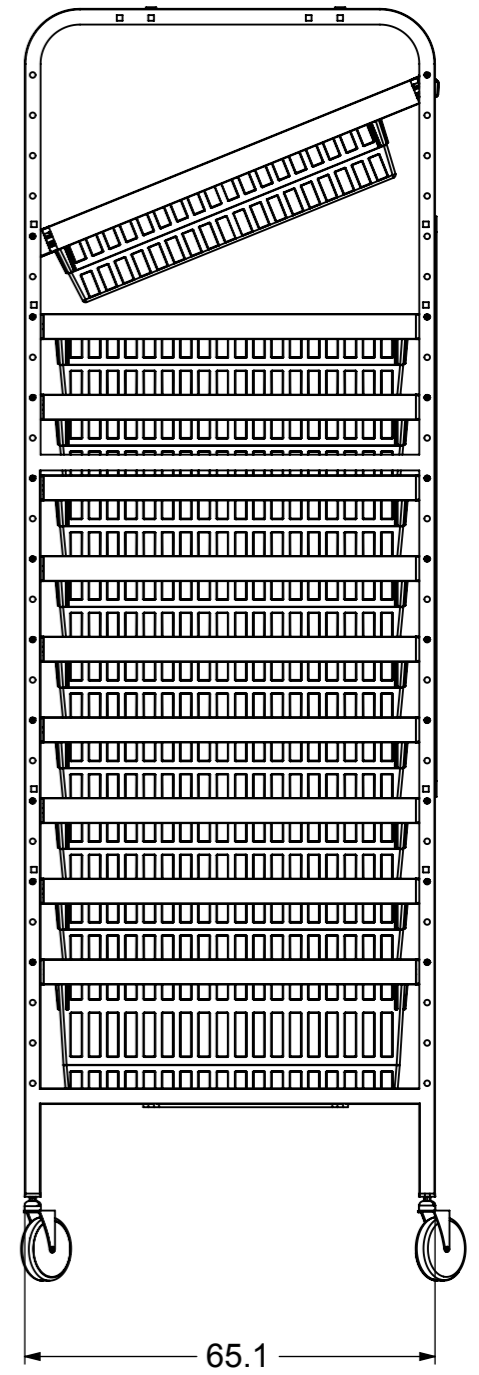
# MAIN DIMENSIONS (IN CM)



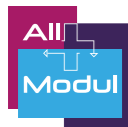
**E TYPE**



**U TYPE**

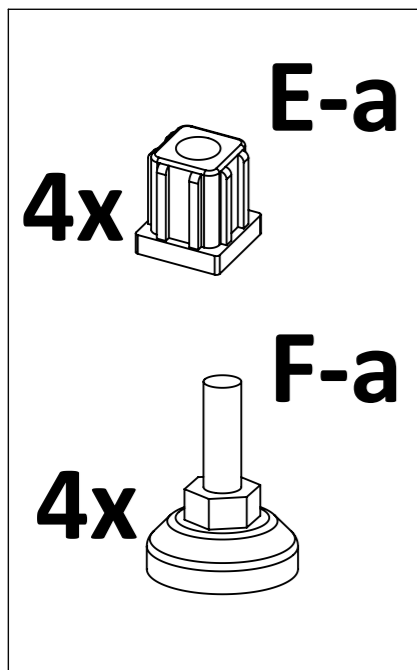


	Total height (cm)
With leveling feet	191 min
With casters	201.8 max

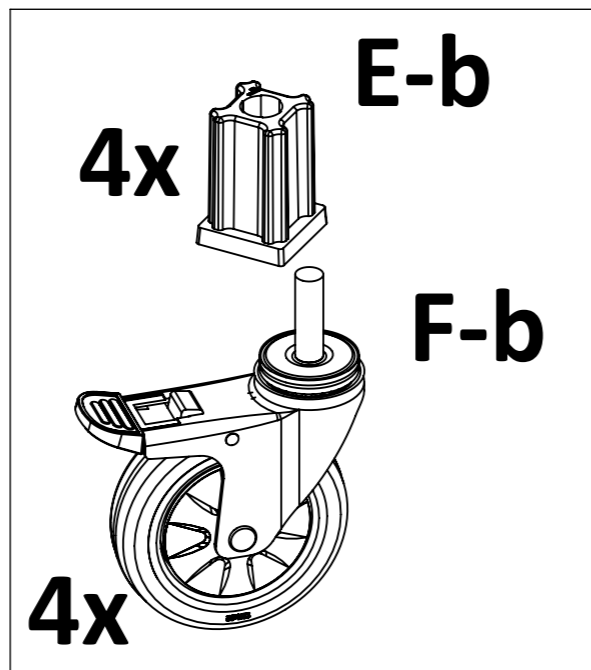


# Montagehandleiding Frame Rack *modulaire stelling*

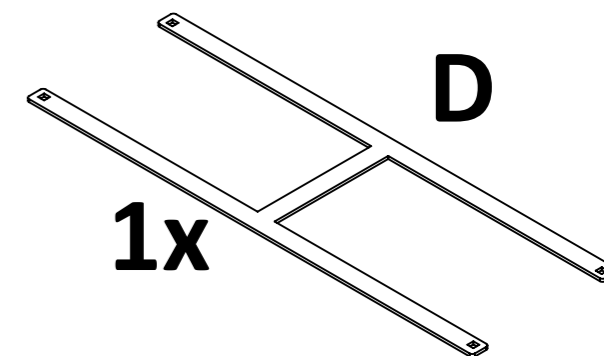
A



**OR**



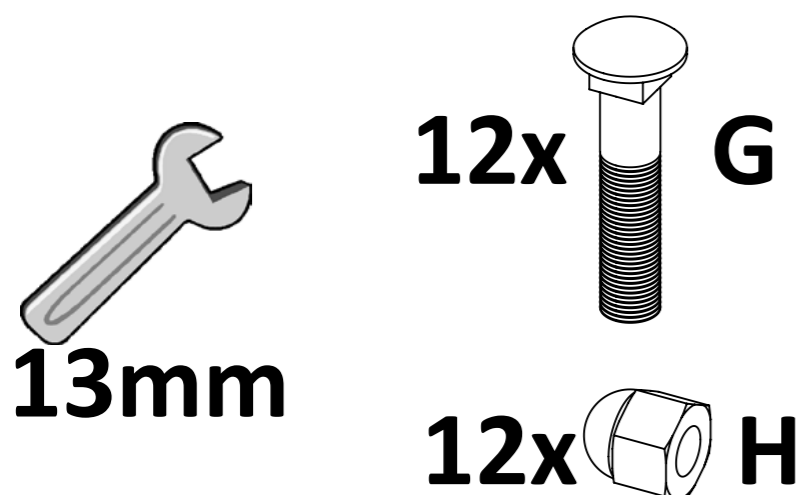
B



A

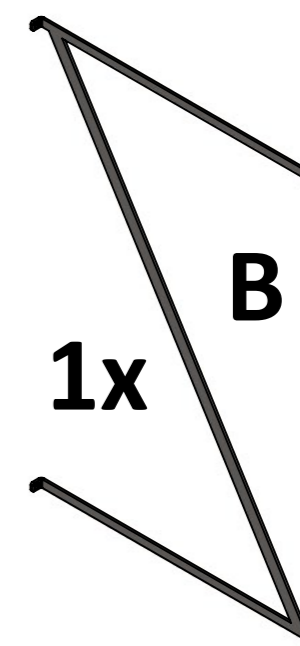
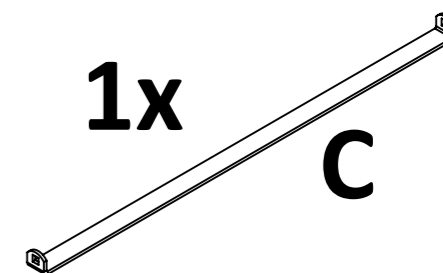
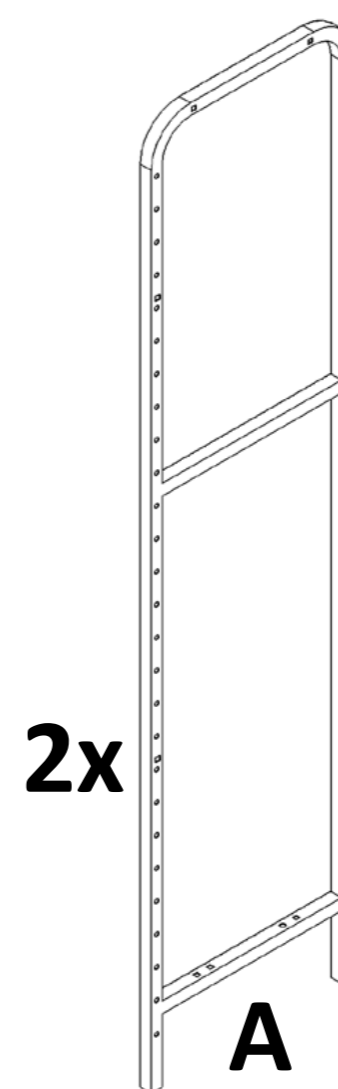
B

C

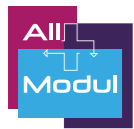


C

D



D



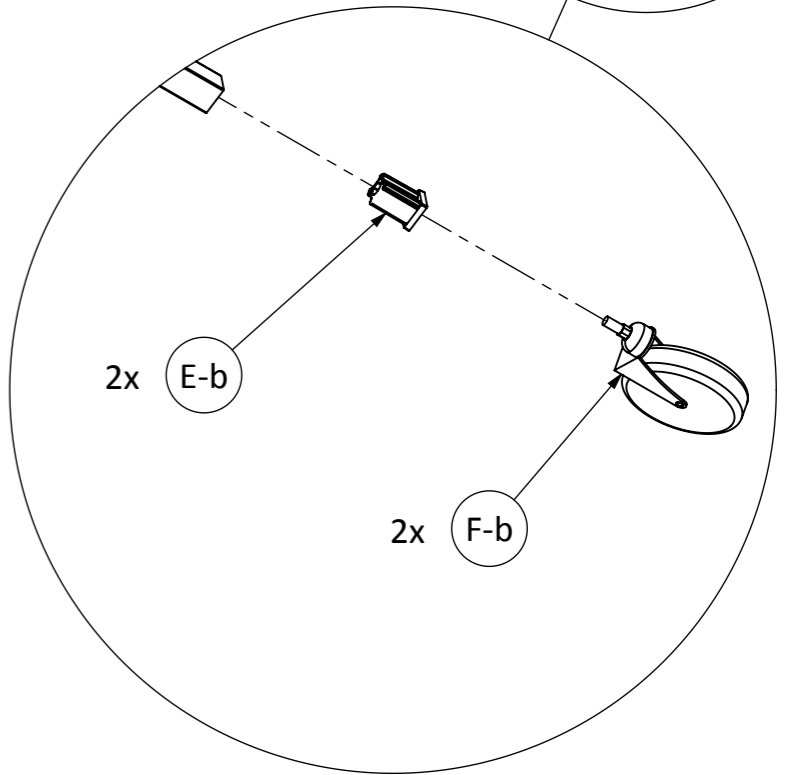
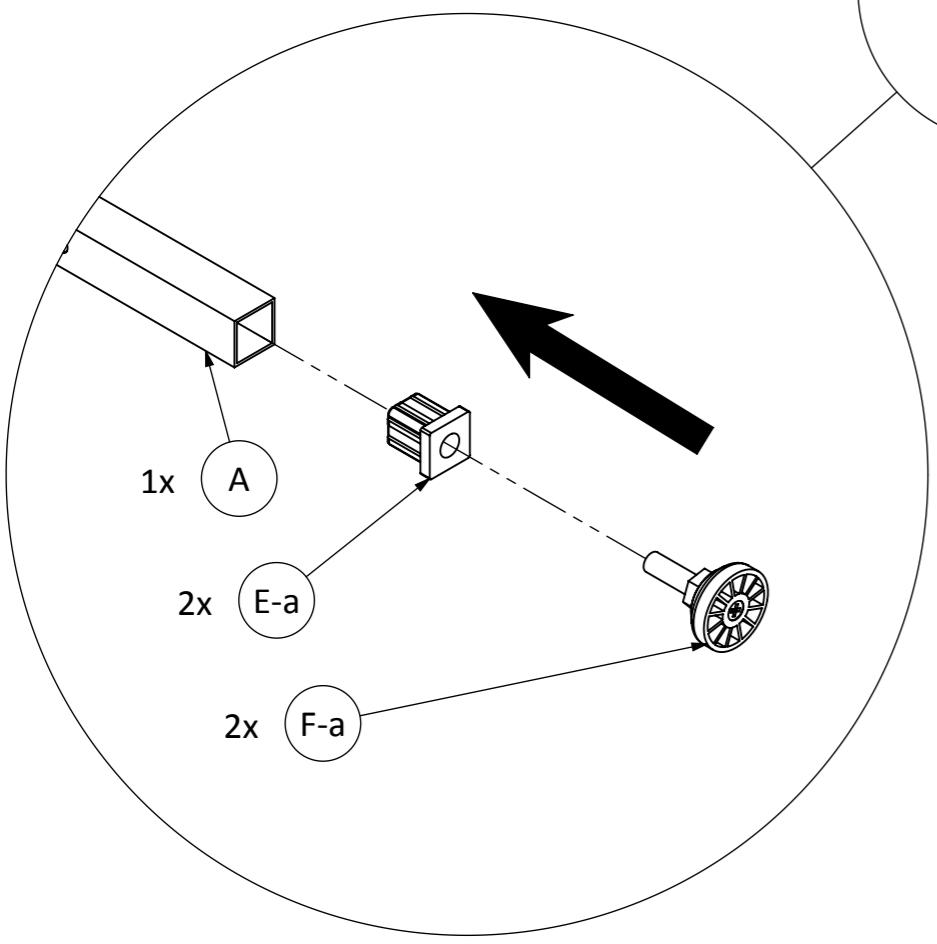
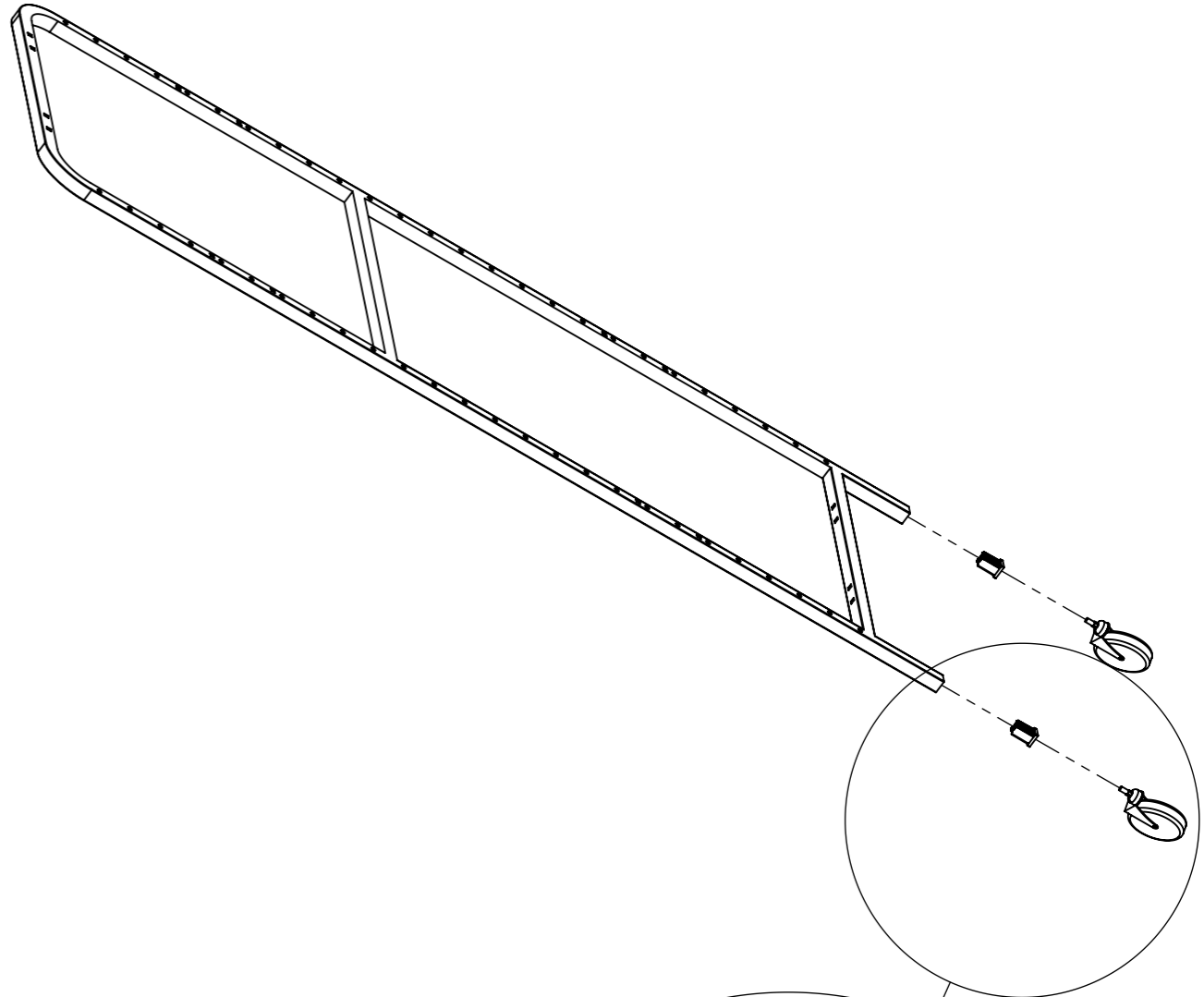
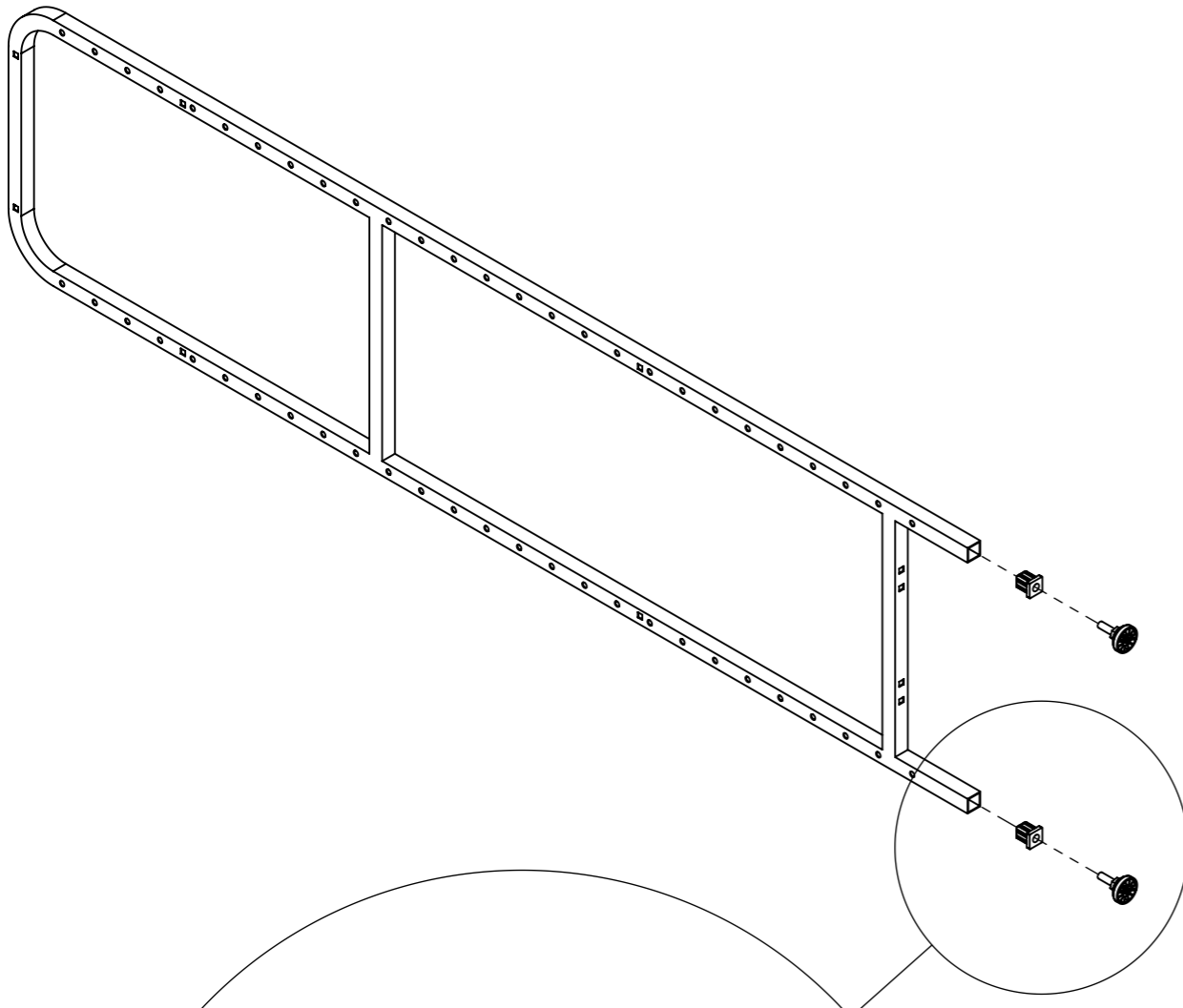
# Montagehandleiding Frame Rack *modulaire stelling*

A

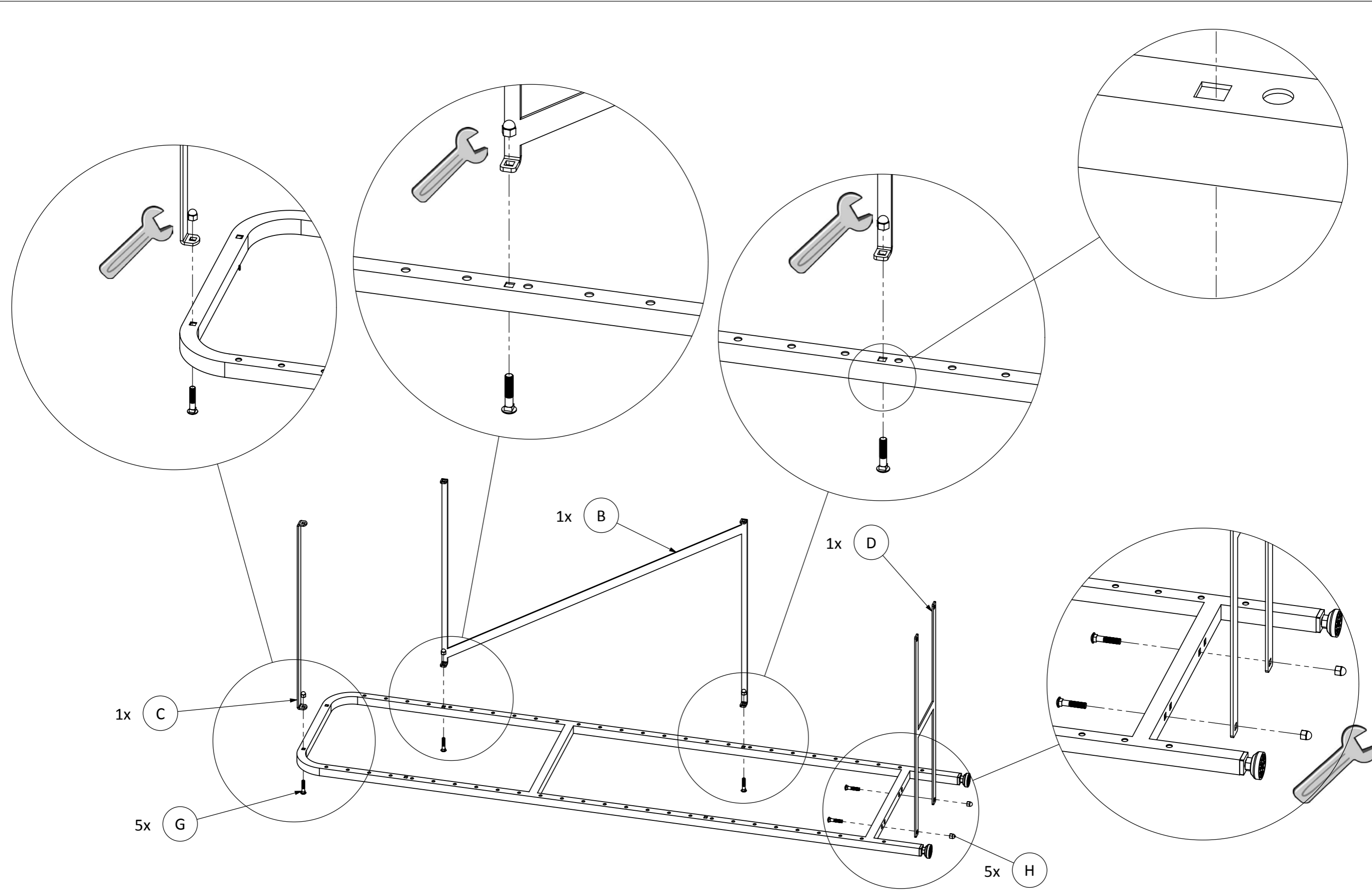
B

C

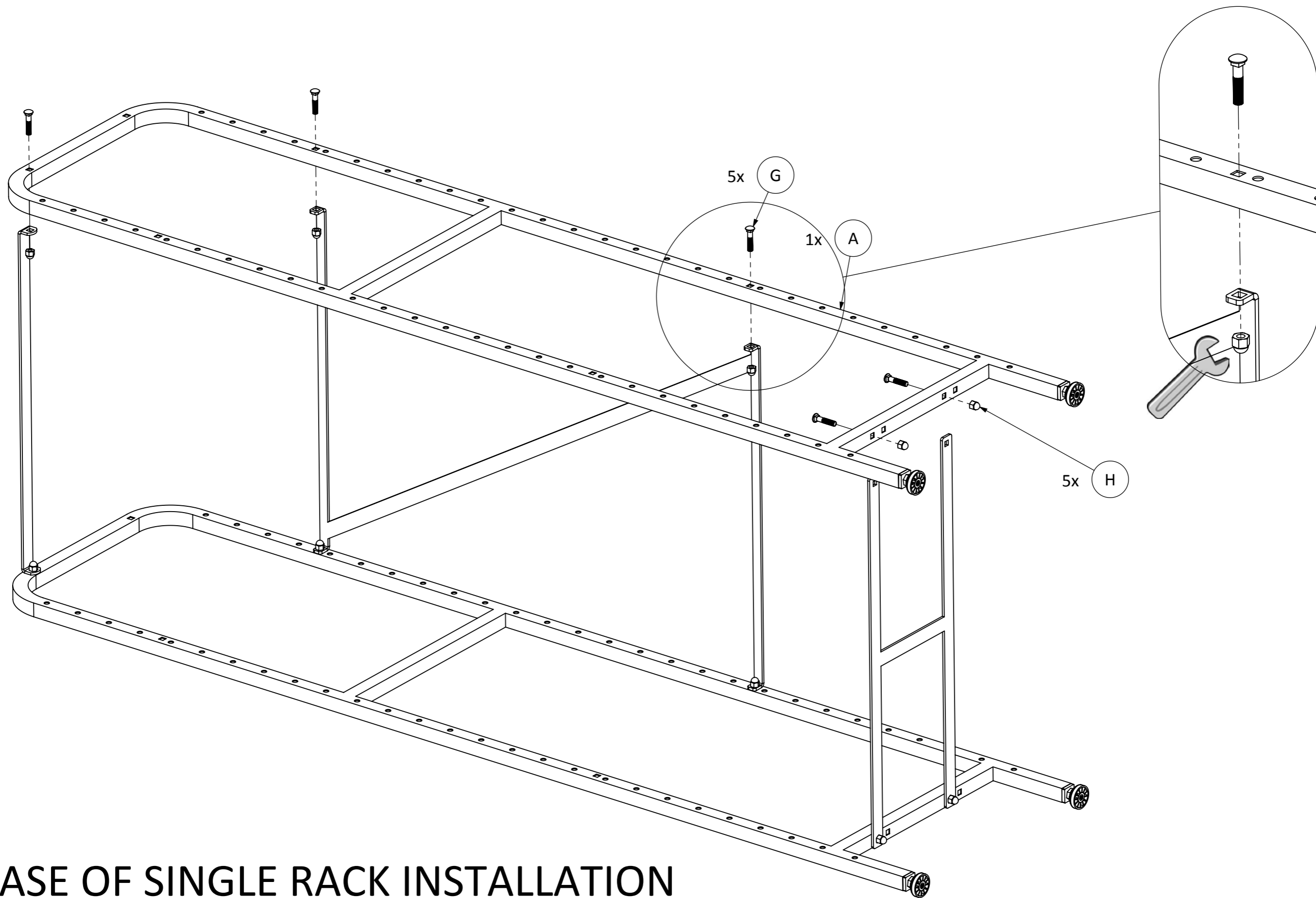
D



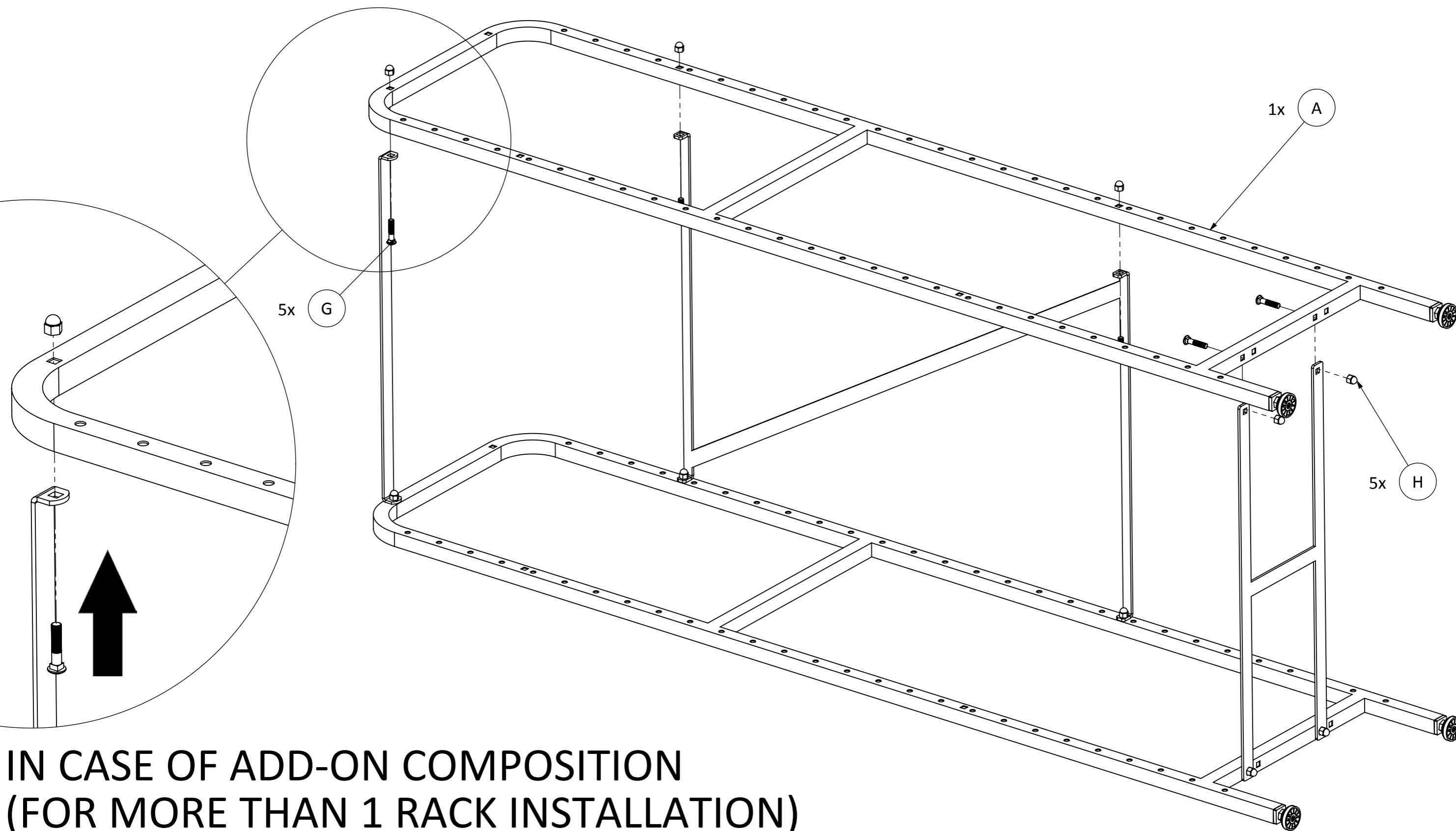
**USE LEVELING FEET OR CASTERS**





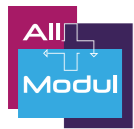


**IN CASE OF SINGLE RACK INSTALLATION**



**IN CASE OF ADD-ON COMPOSITION  
(FOR MORE THAN 1 RACK INSTALLATION)**





# Montagehandleiding Frame Rack *modulaire stelling*

A

B

C

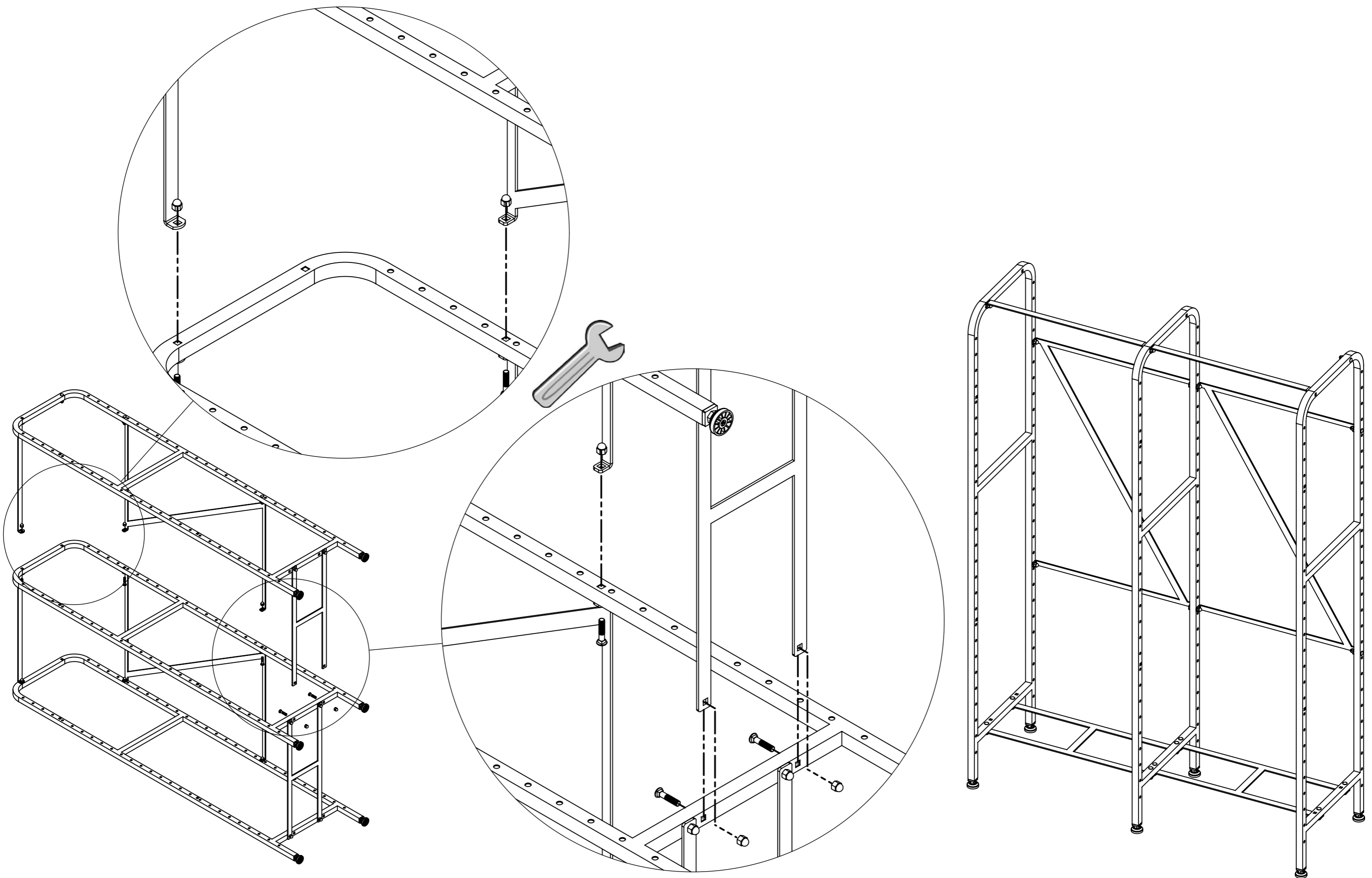
D

A

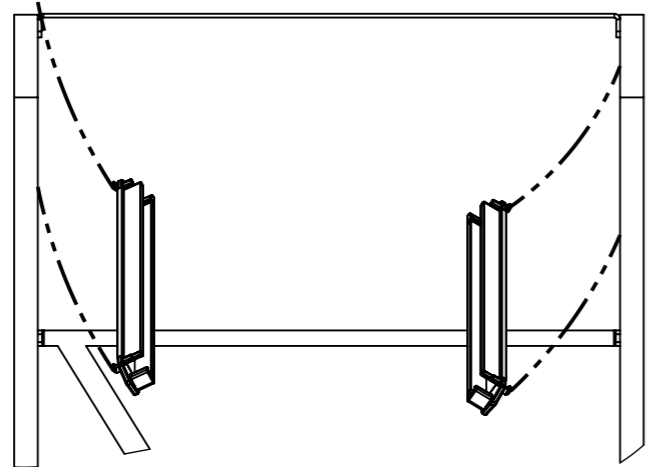
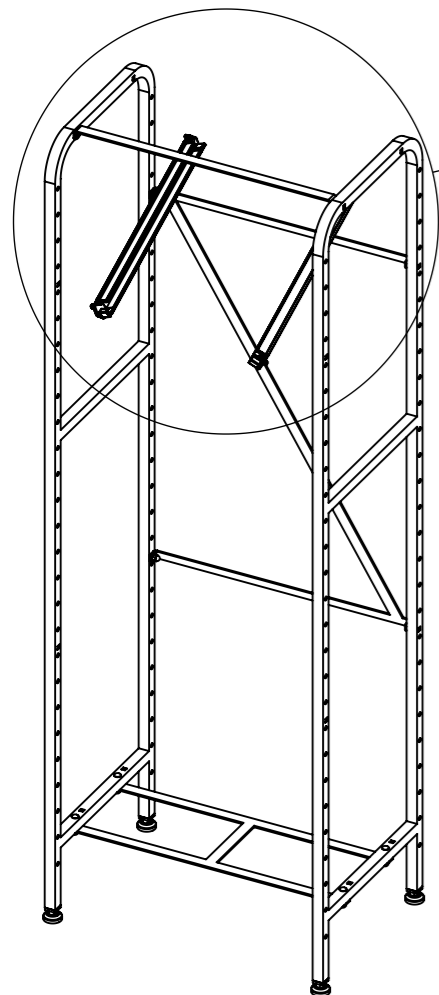
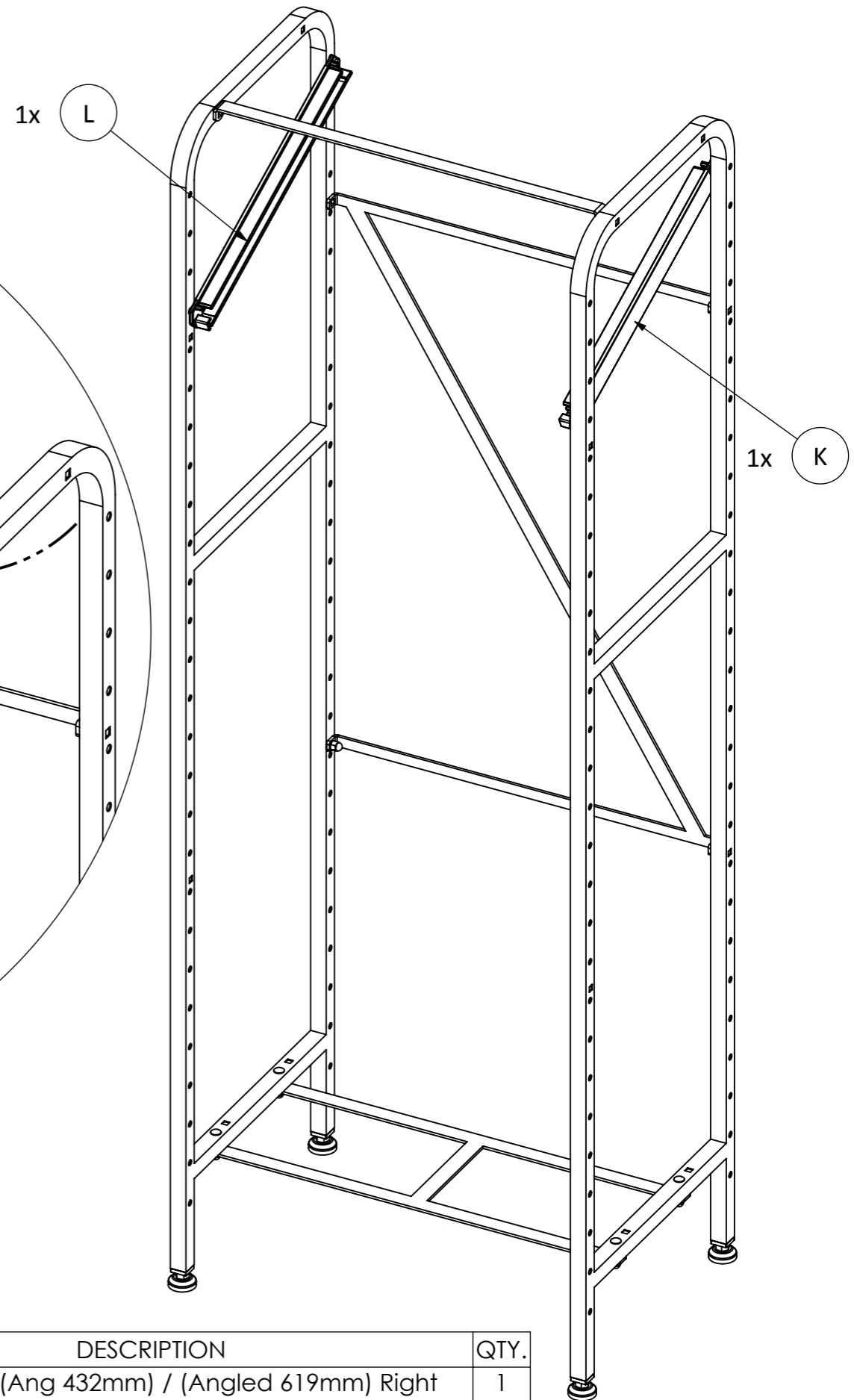
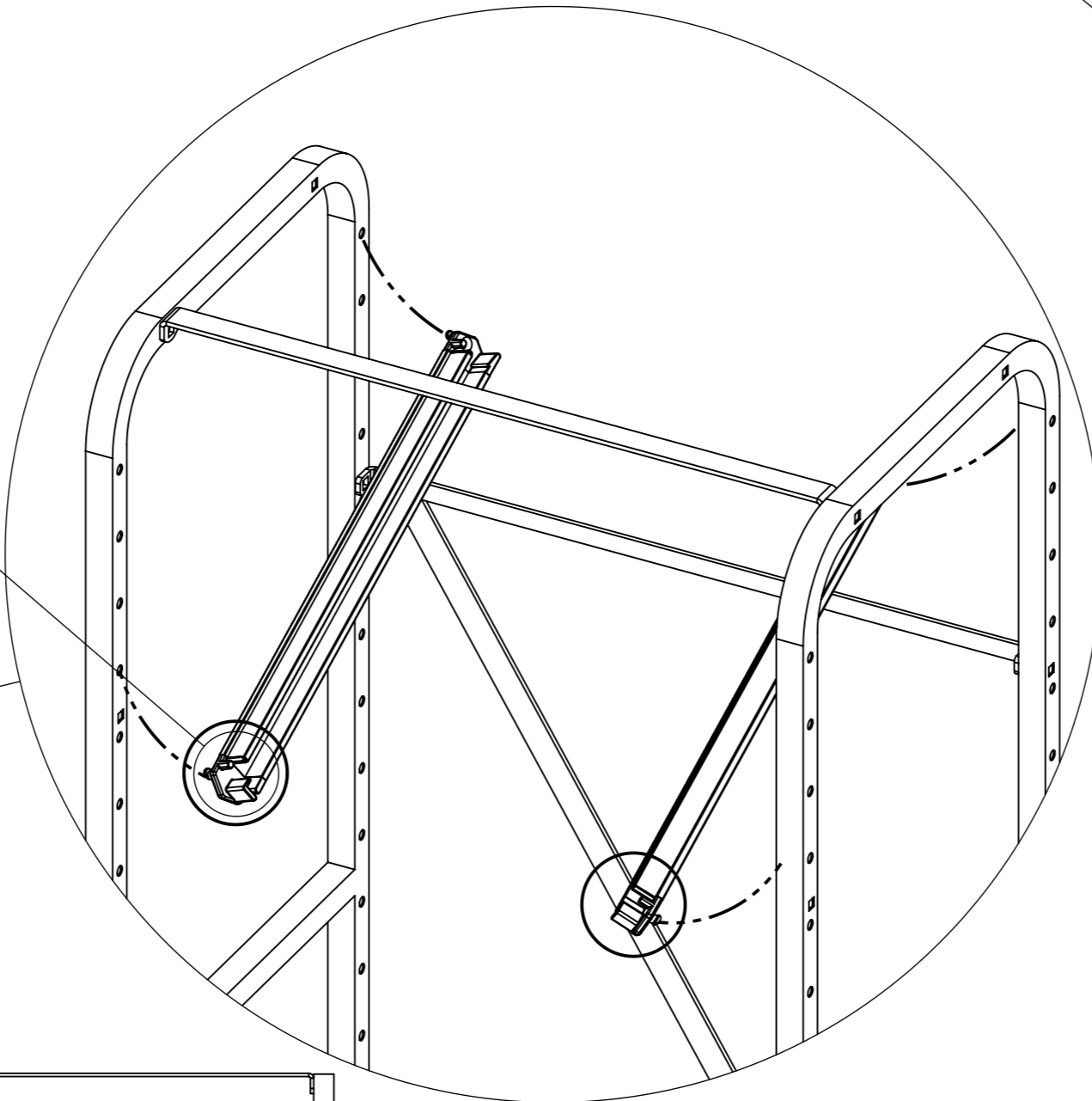
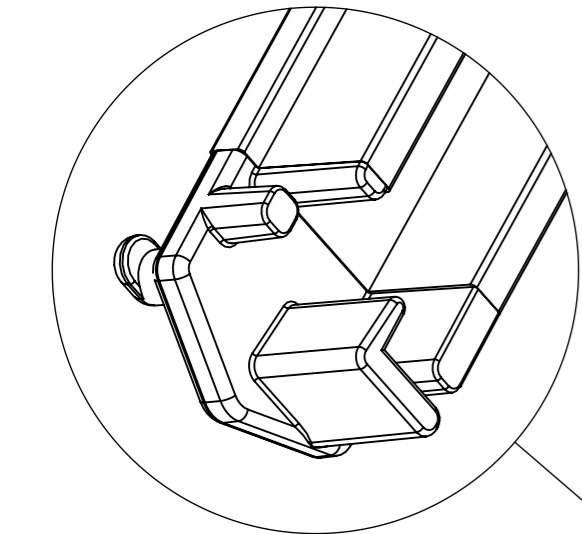
B

C

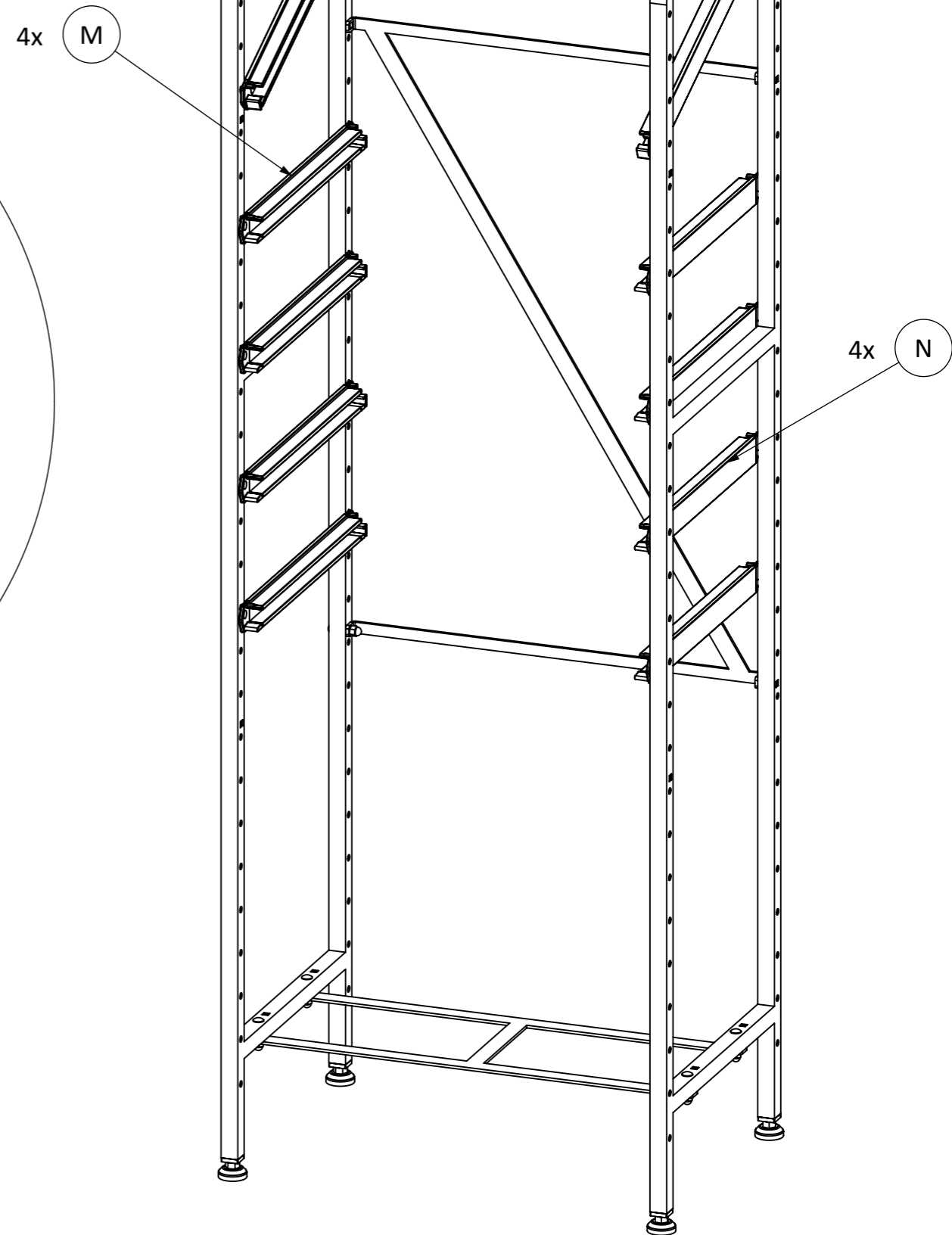
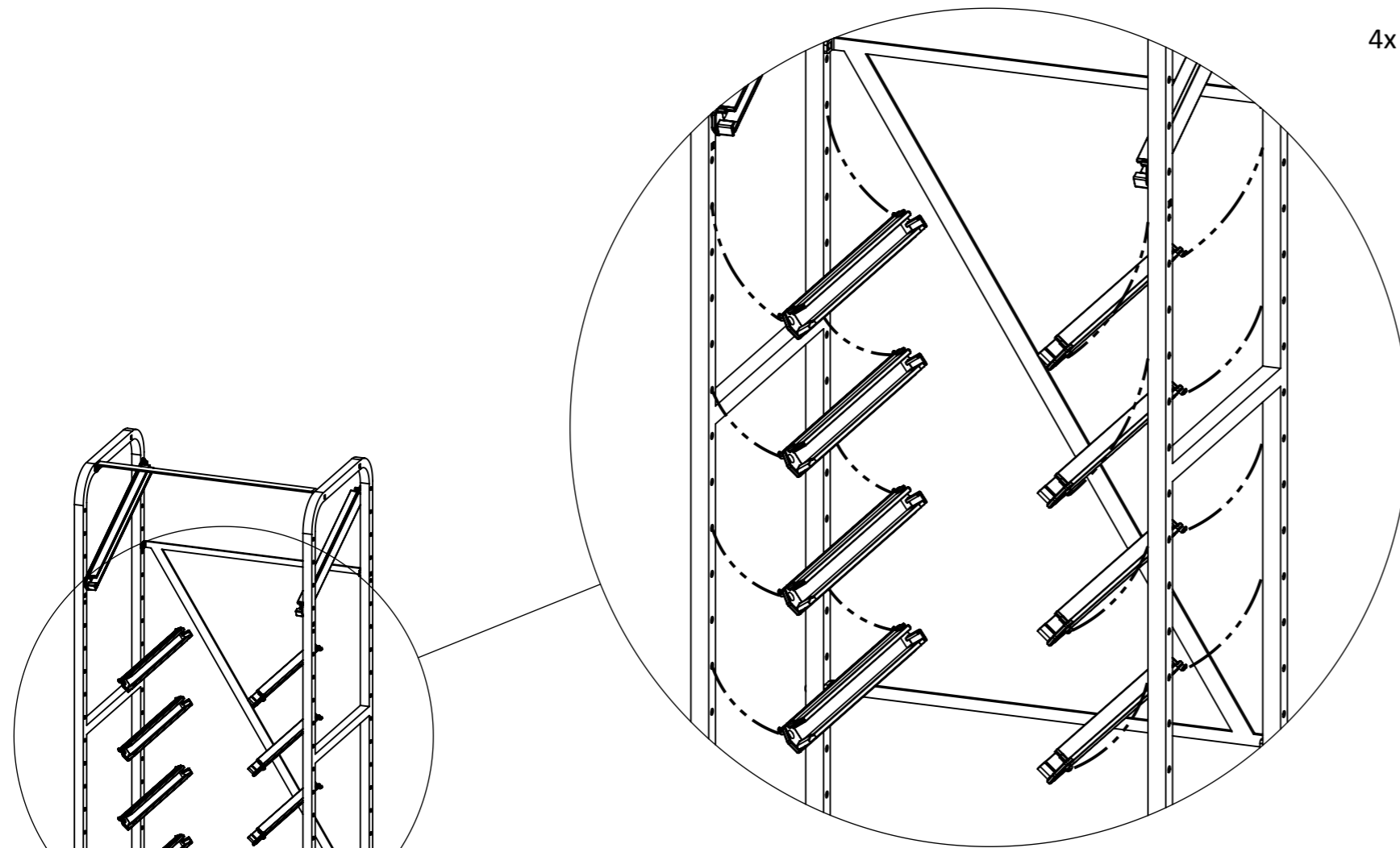
D



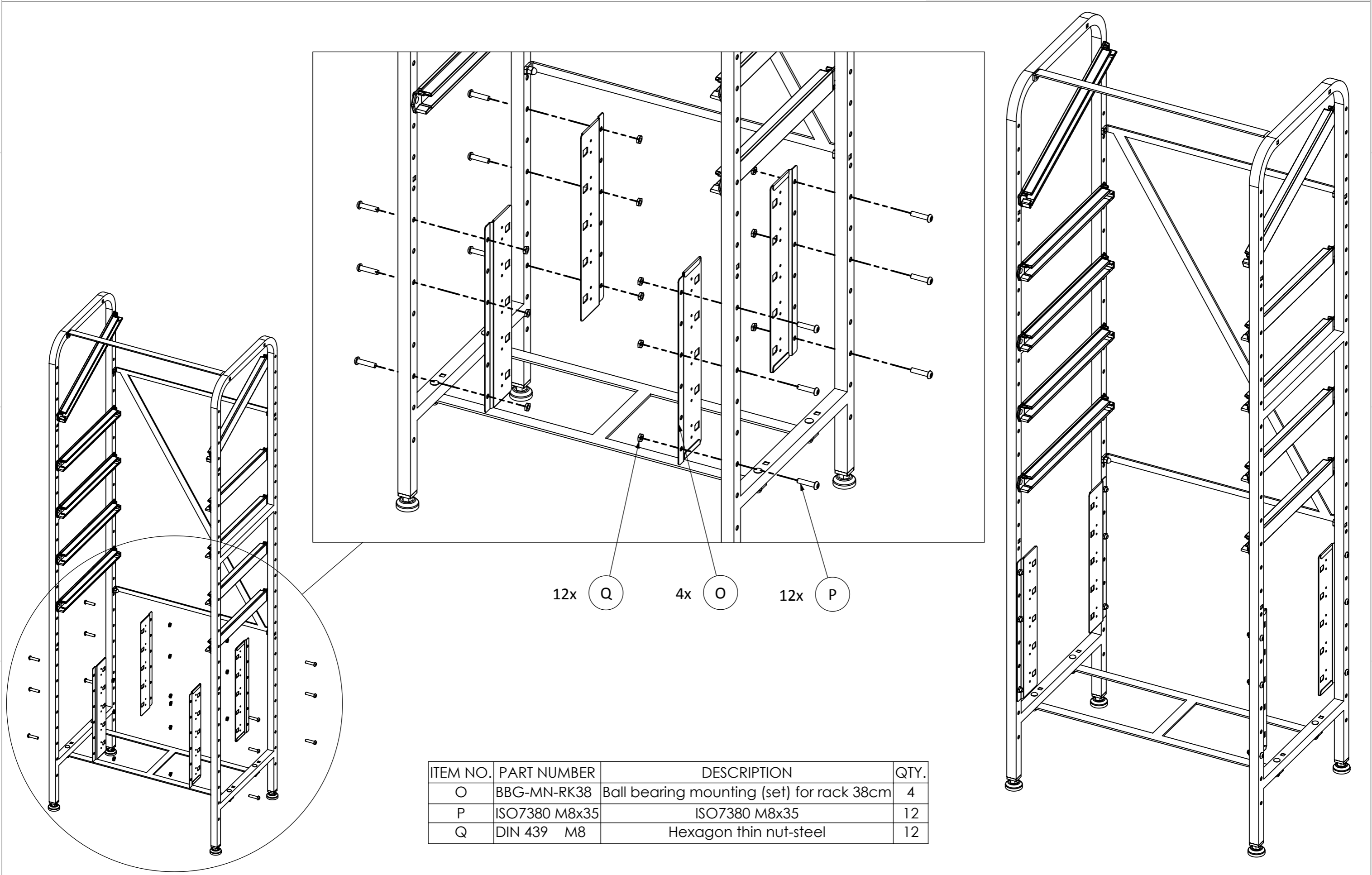
FOR ANGLED RAILS:  
USE THE 'CLOSED' END OF THE RAIL IN THE FRONT.  
USE THE 'OPEN' END OF THE RAIL IN REAR.



ITEM NO.	PART NUMBER	DESCRIPTION	QTY.
K	R40RA / R60RA	Basket Supp (Ang 432mm) / (Angled 619mm) Right	1
L	R40LA / R60LA	Basket Supp (Ang 432mm) / (Angled 619mm) Left	1



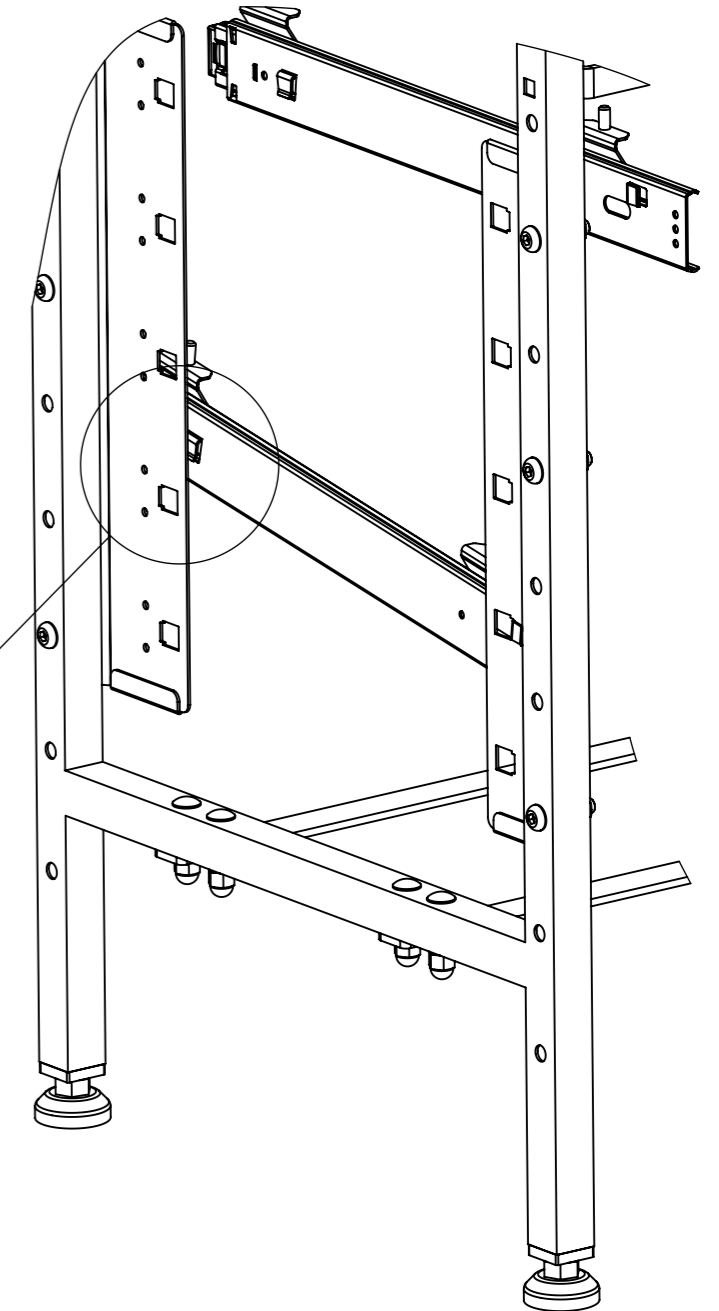
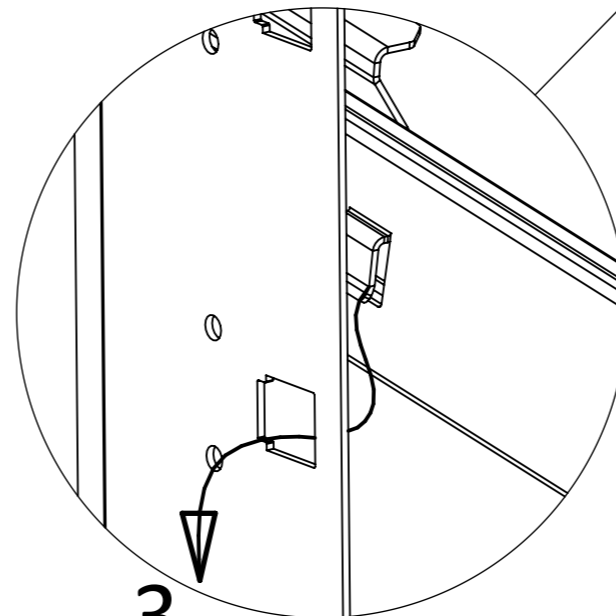
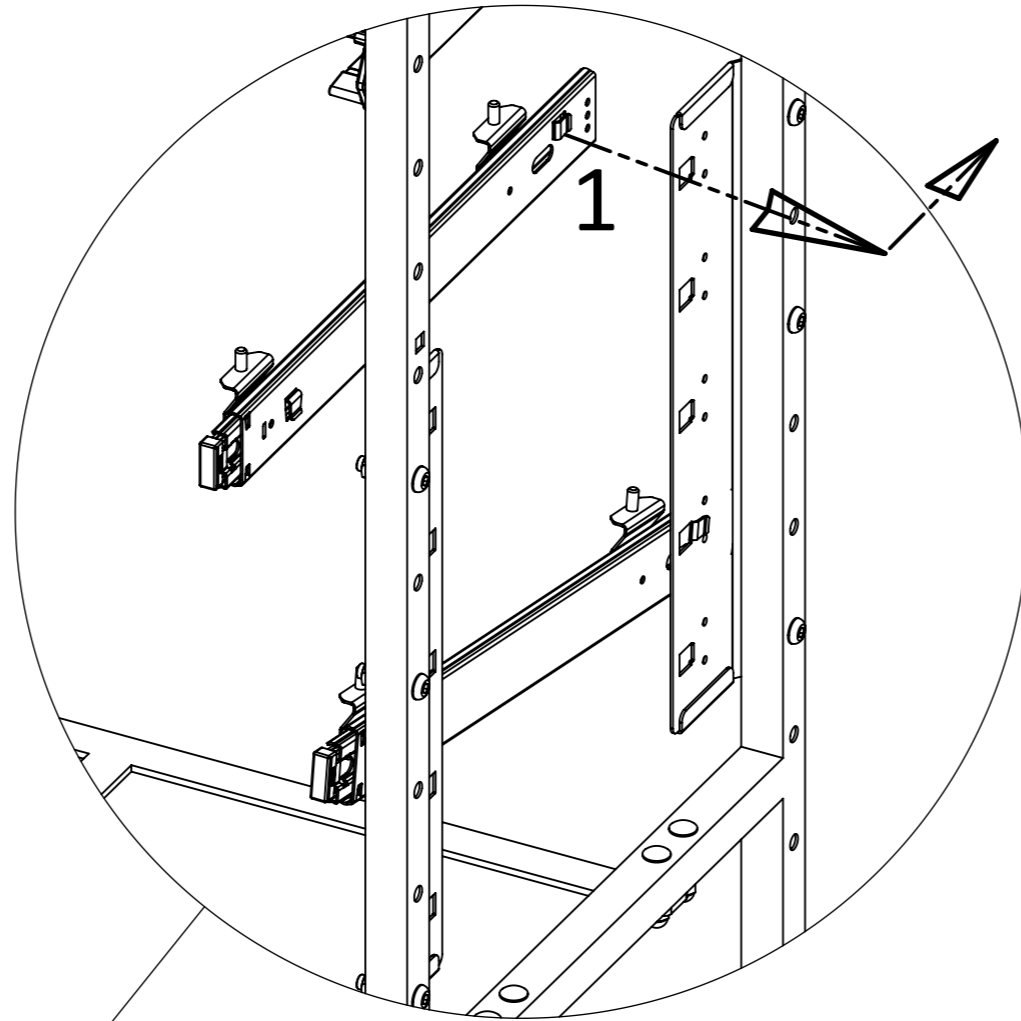
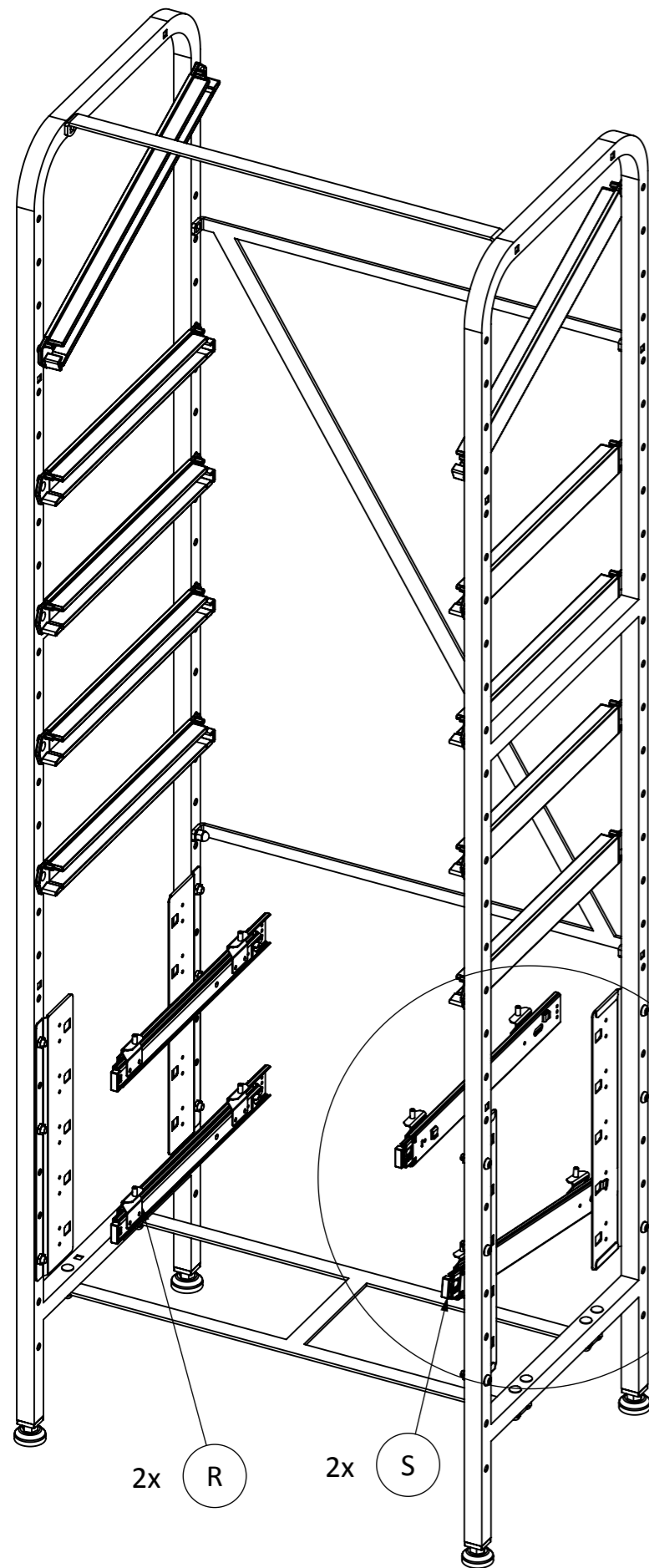
ITEM NO.	PART NUMBER	DESCRIPTION	QTY.
M	R40LH / R60LH	Basket Supp (Horz 389mm) / (Horz 590mm) Left	4
N	R40RH / R60RH	Basket Supp (Horz 389mm) / (Horz 590mm) Right	4



12x **Q**      4x **O**      12x **P**

ITEM NO.	PART NUMBER	DESCRIPTION	QTY.
O	BBG-MN-RK38	Ball bearing mounting (set) for rack 38cm	4
P	ISO7380 M8x35	ISO7380 M8x35	12
Q	DIN 439 M8	Hexagon thin nut-steel	12

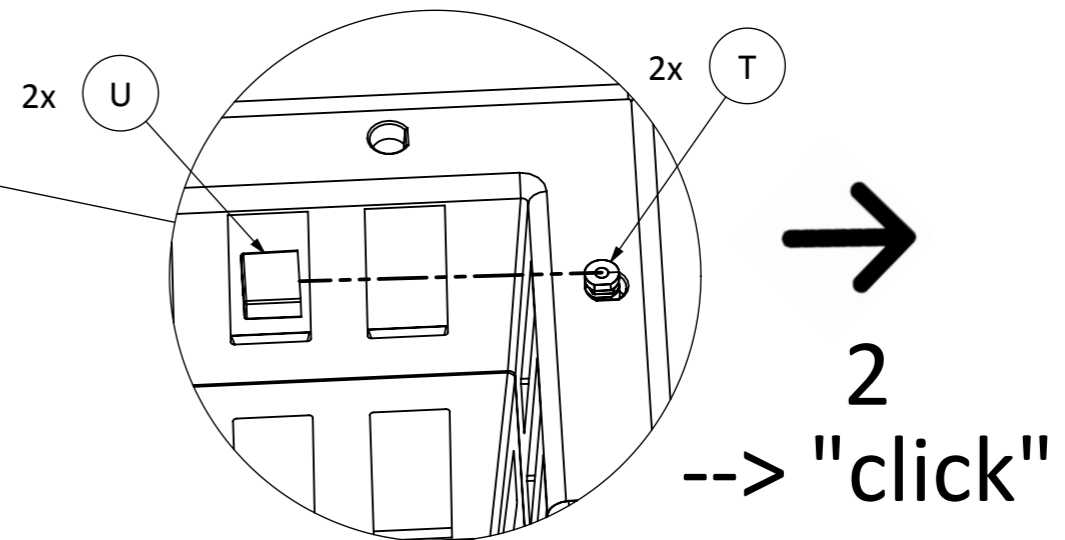
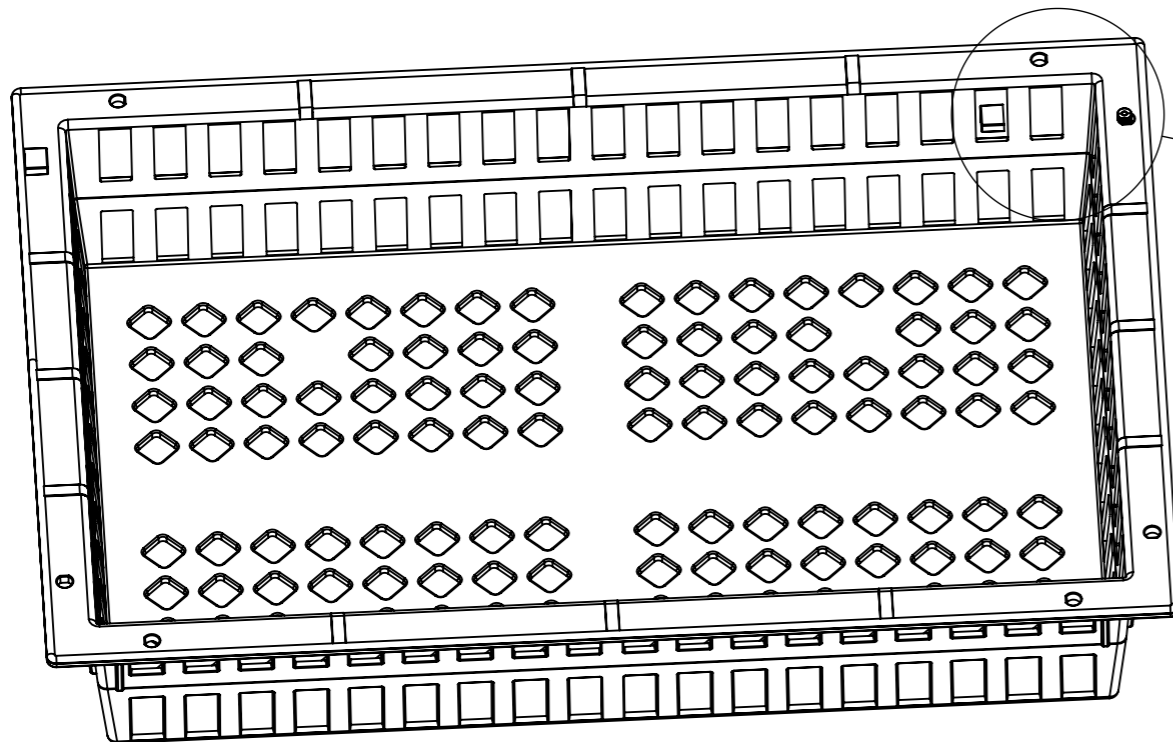
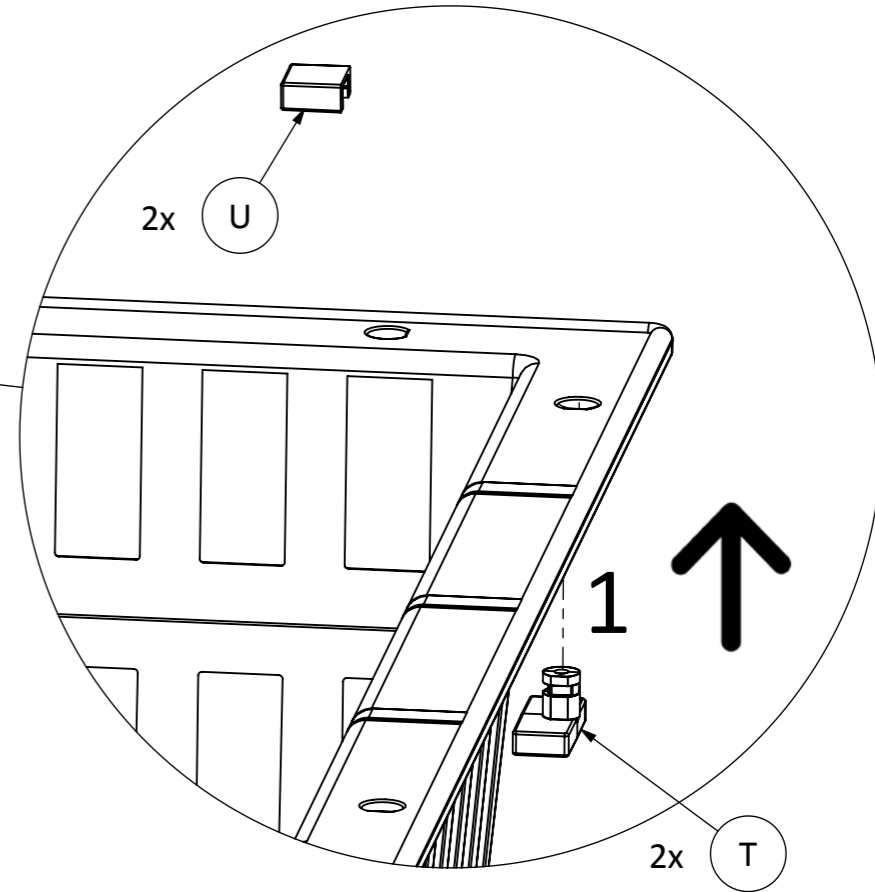
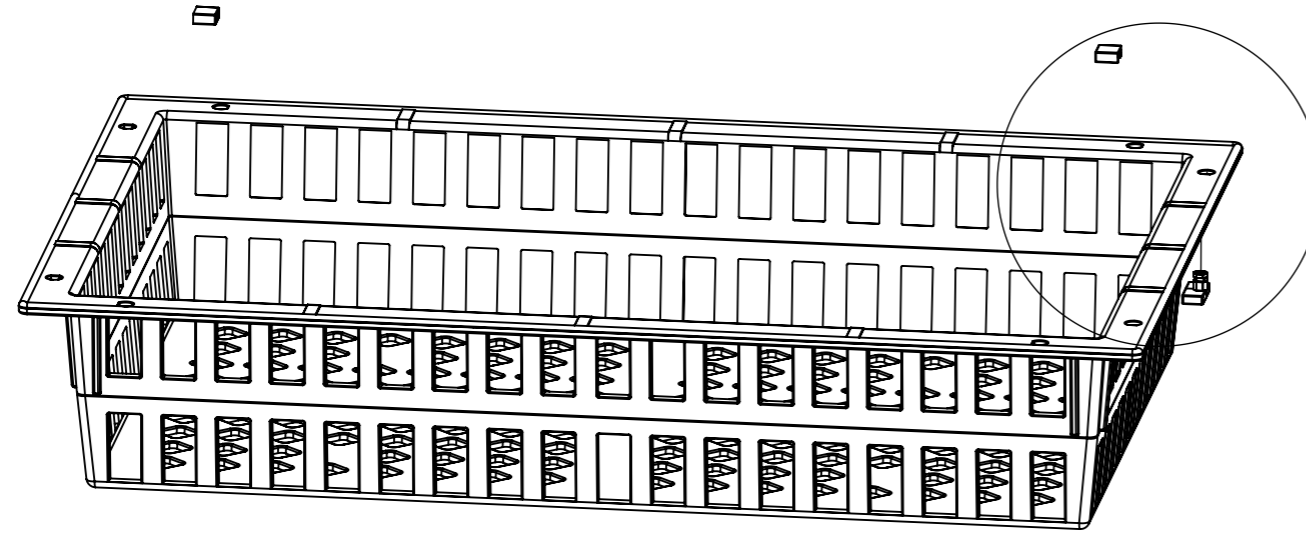




2x R

2x S

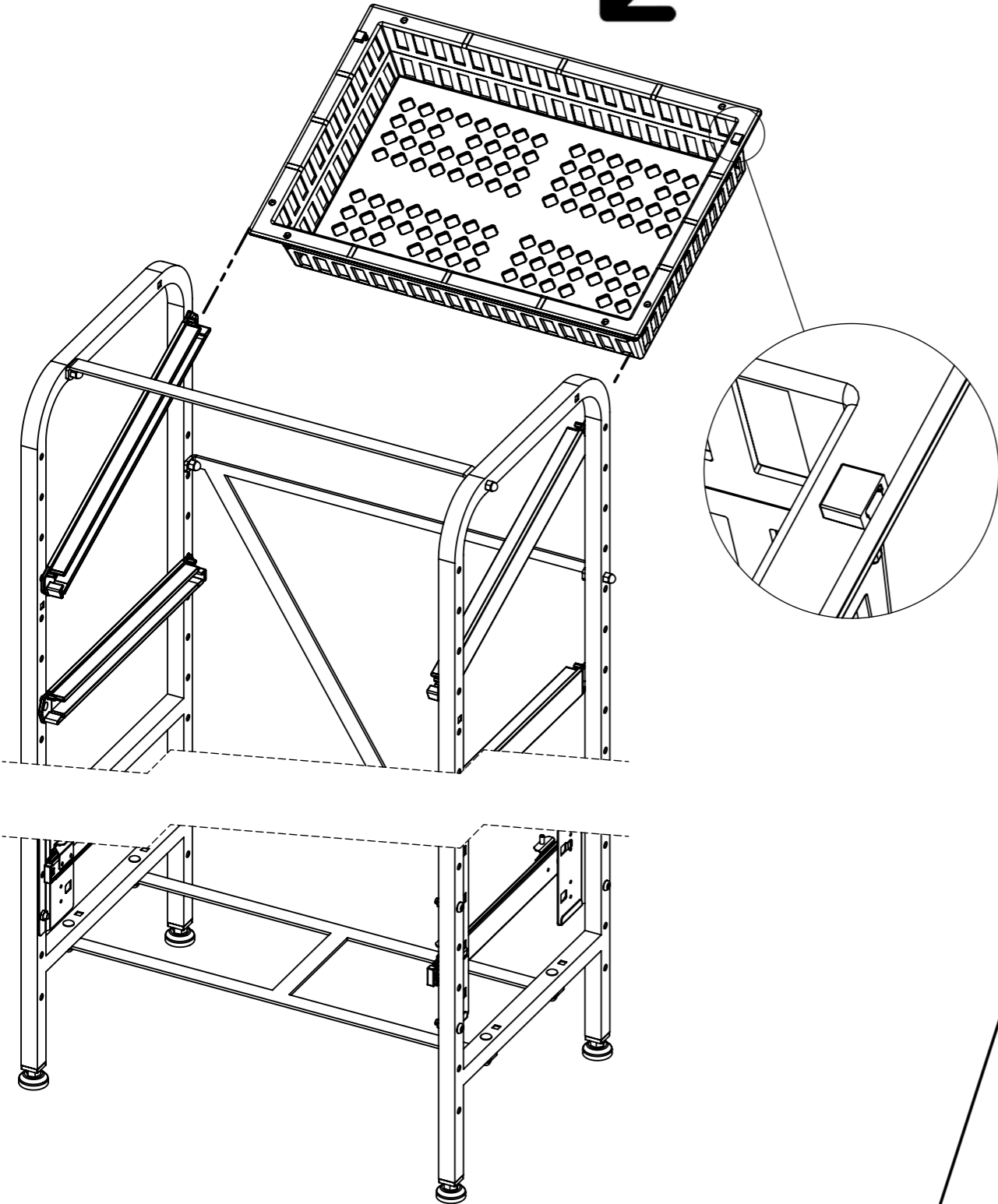
ITEM NO.	PART NUMBER	DESCRIPTION	QTY.
R	BBG-RK left	Ball bearing slide, E type - 40cm / U type - 60cm (Left side)	2
S	BBG-RK right	Ball bearing slide, E type - 40cm / U type - 60cm (Right side)	2



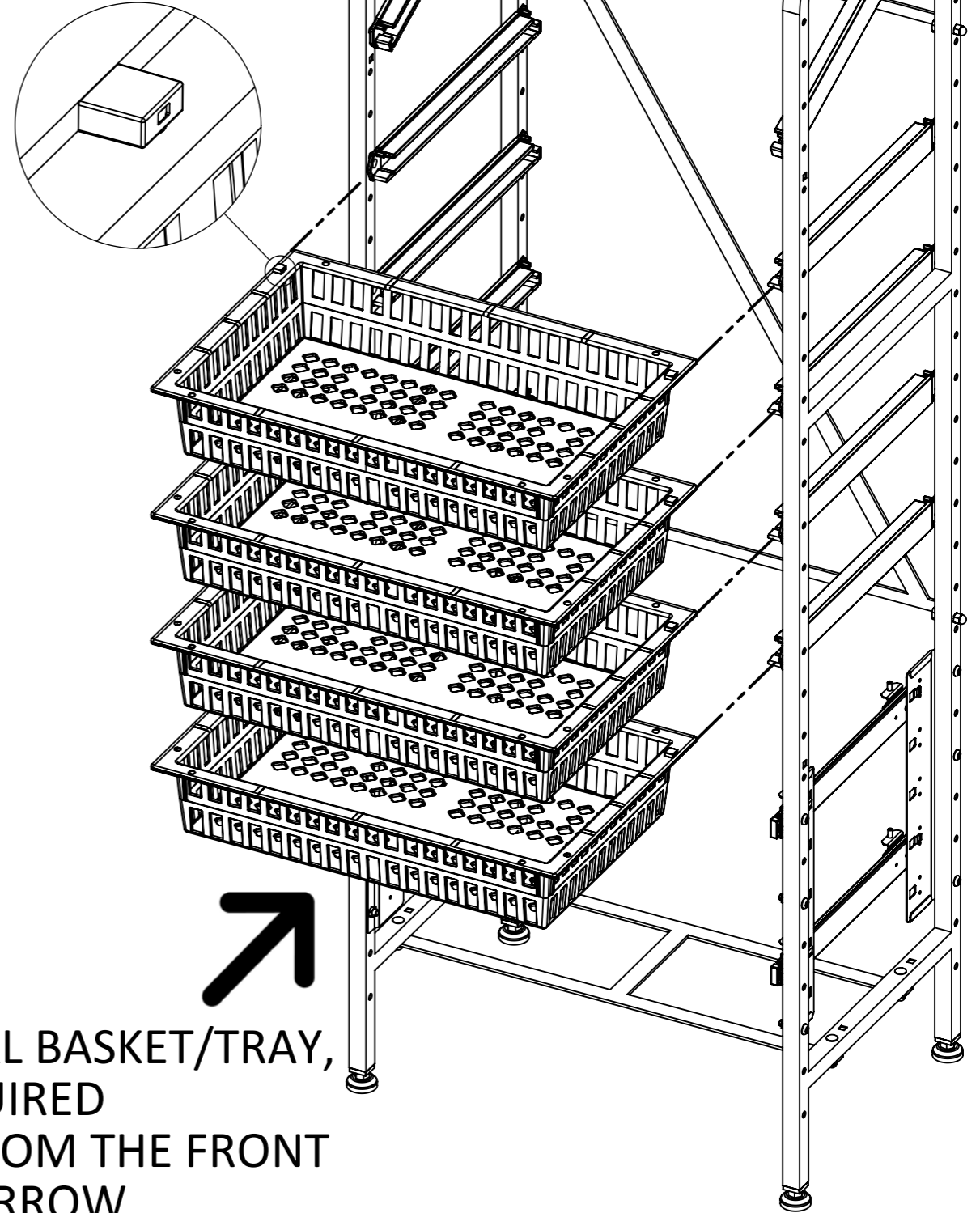
ITEM NO.	PART NUMBER	DESCRIPTION	QTY.
T	BSKSTP-NW main	New basket stop - MAIN	2
U	BSKSTP-NW	New basket stop - Cap	2



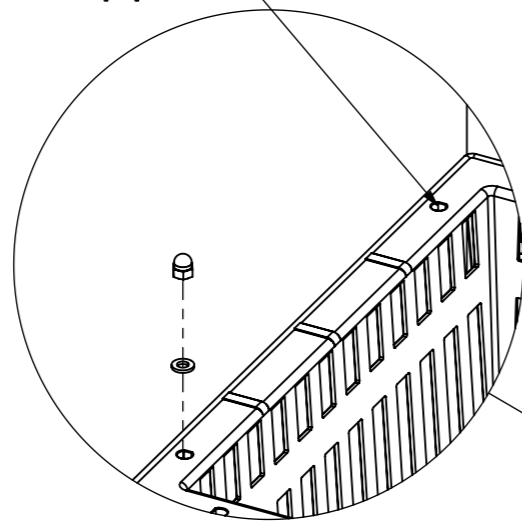
FOR ANGLED BASKET/TRAY,  
PLACE THE REQUIRED  
BASKET/TRAY FROM BEHIND  
AS SHOWN BY ARROW



FOR HORIZONTAL BASKET/TRAY,  
PLACE THE REQUIRED  
BASKET/TRAY FROM THE FRONT  
AS SHOWN BY ARROW

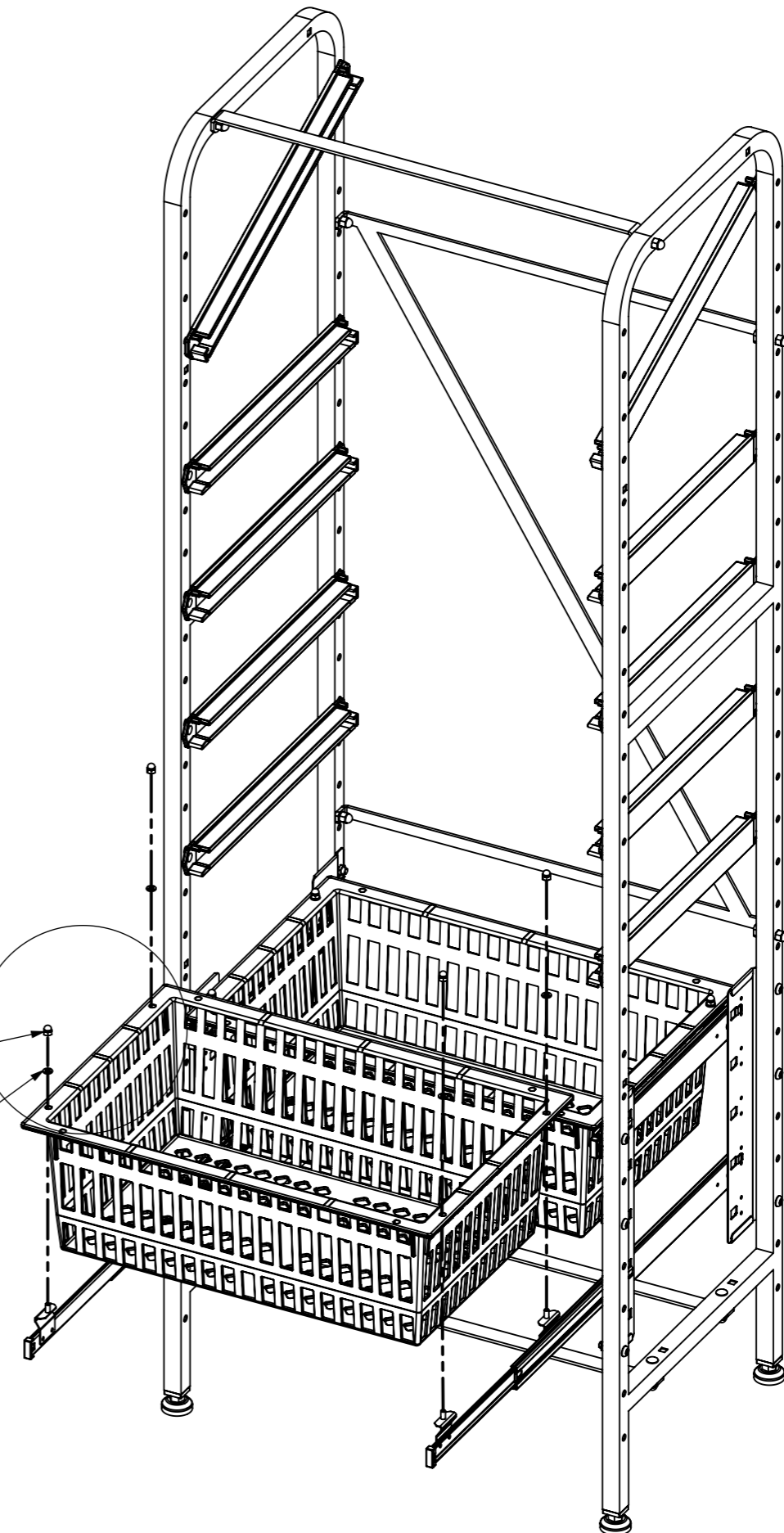


No stoppers



8x V

8x W



ITEM NO.	PART NUMBER	DESCRIPTION	QTY.
V	M6 DIN 1587	Hexagon domed cap nut-steel	8
W	M6 DIN 125-1 A	Plain Washer	8