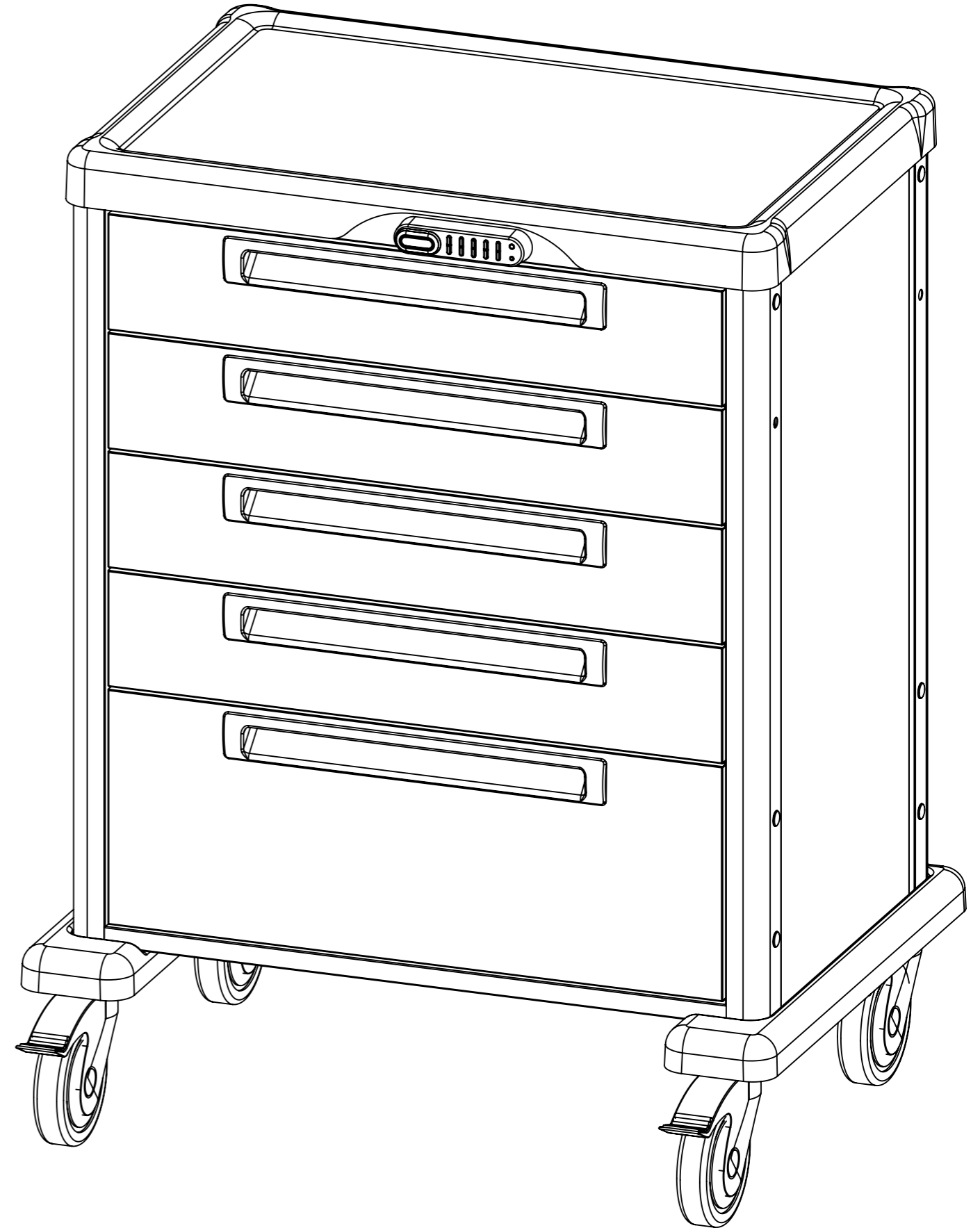
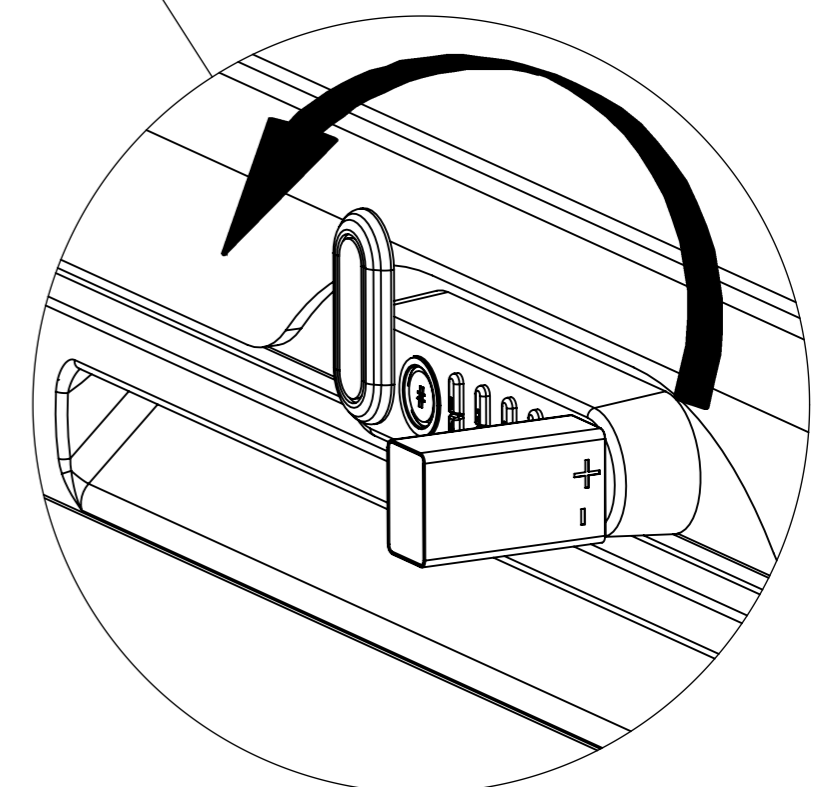
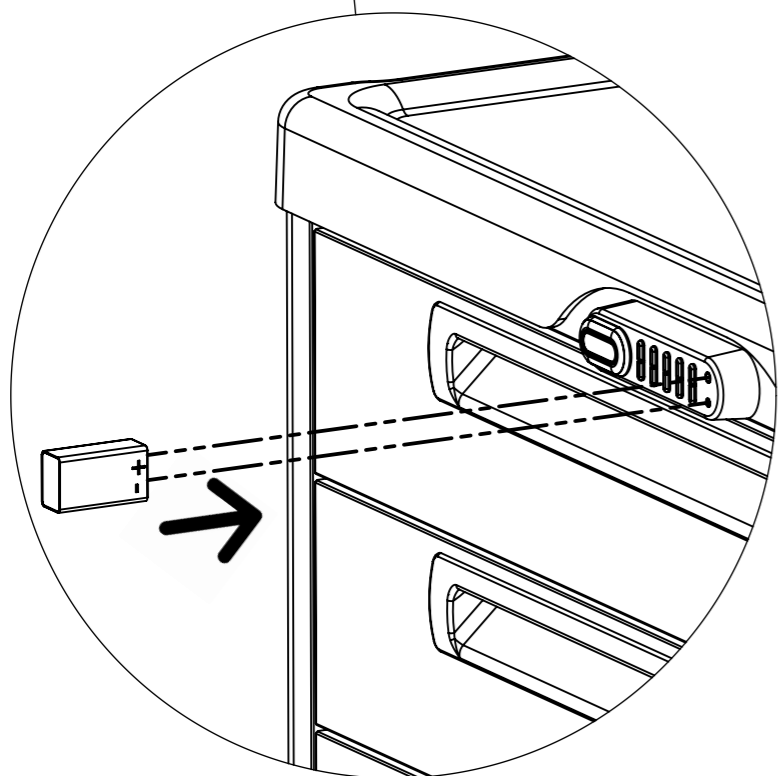
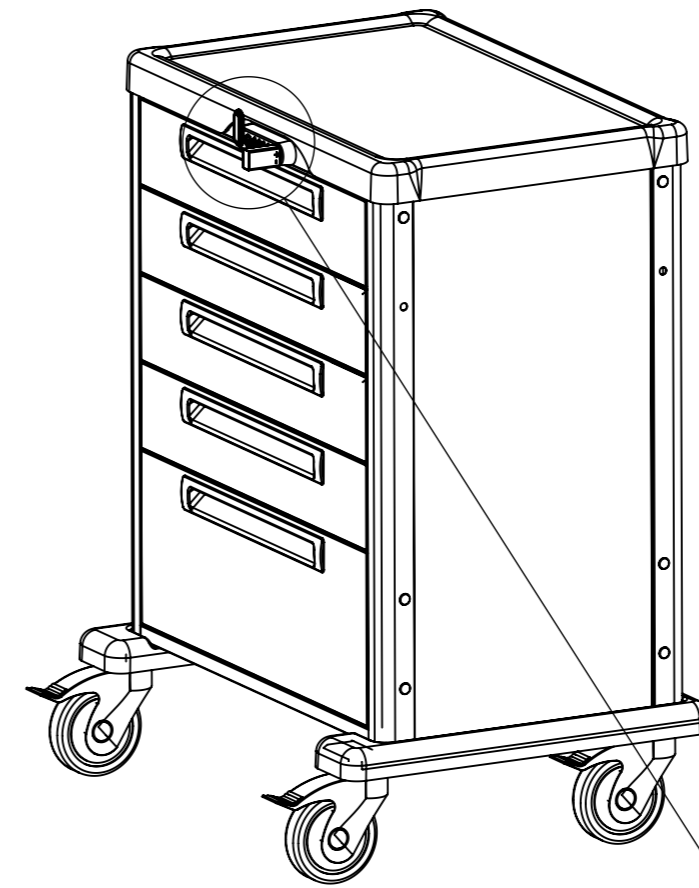
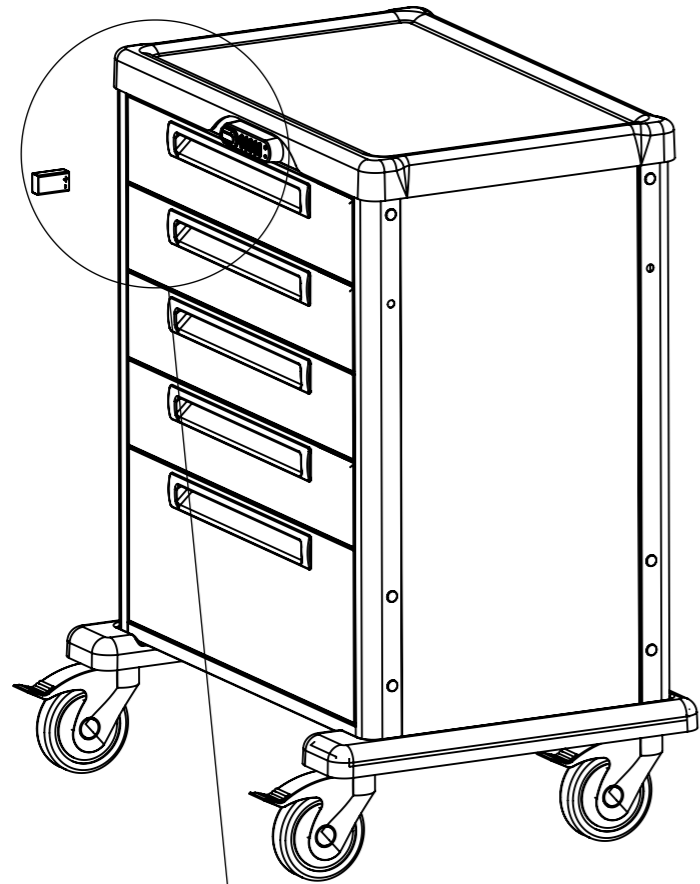


***Procedure cart 'CodeLock'
batteries replacement
manual***



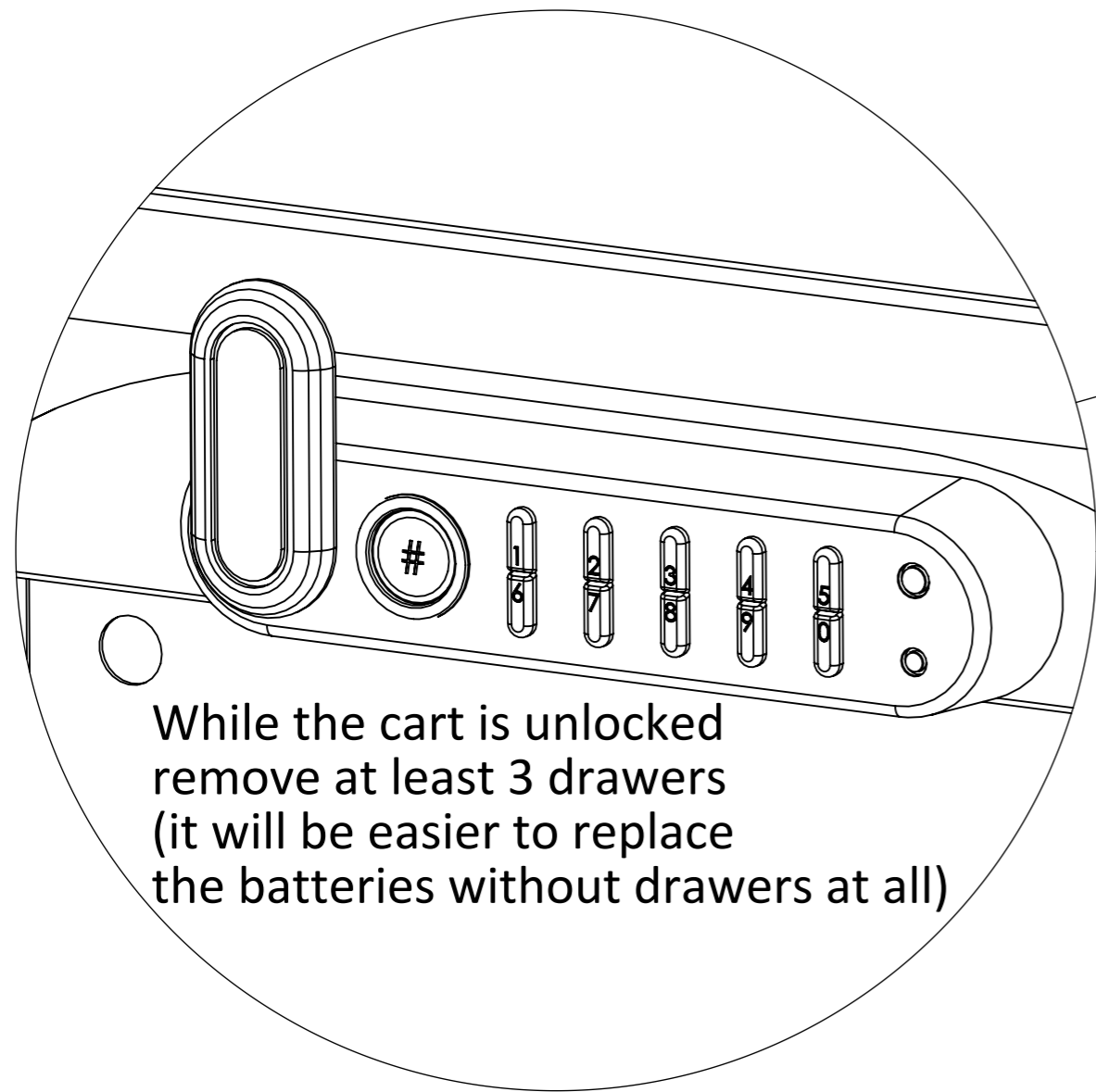
Pegasus Medical Concepts.



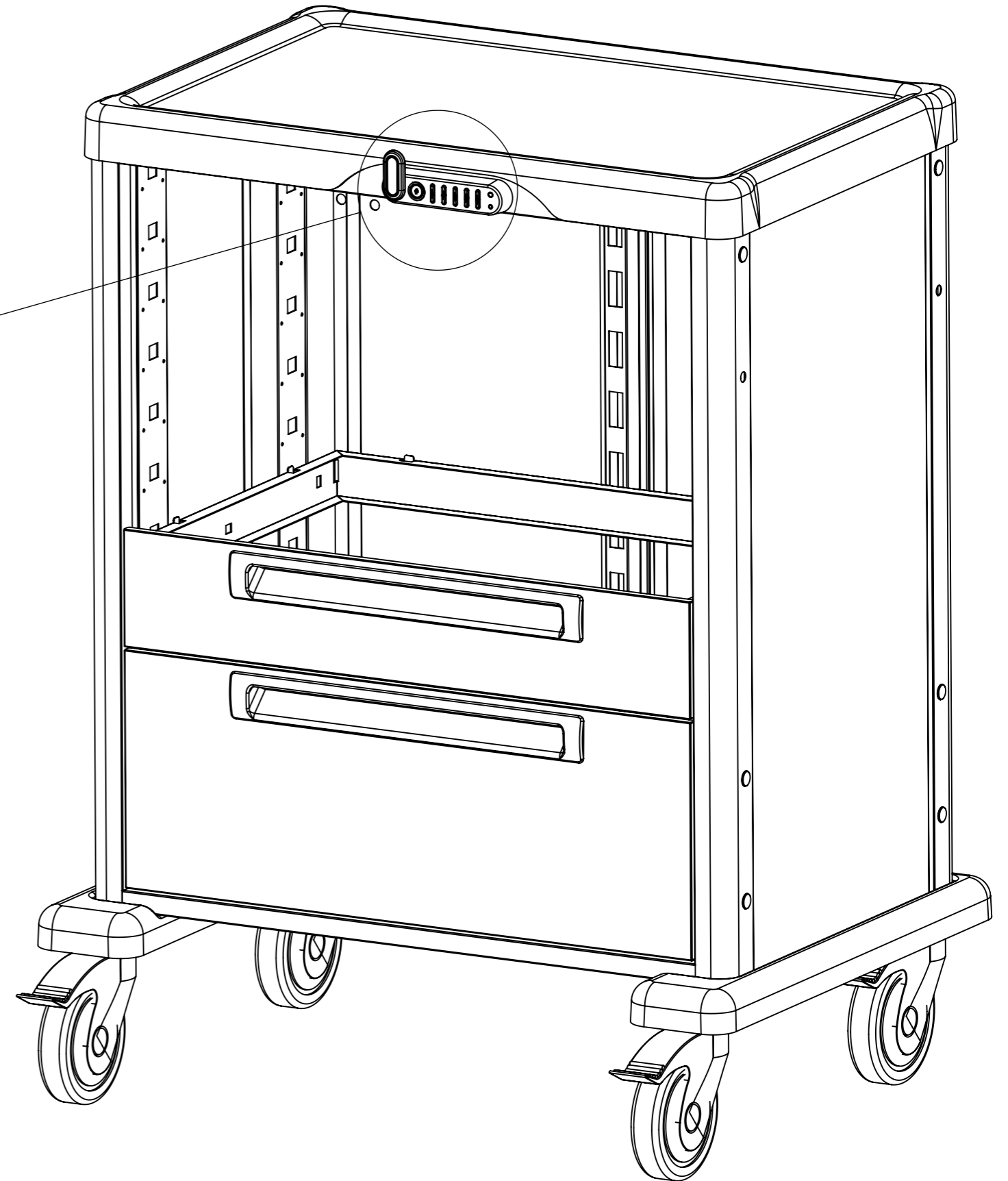
In case of emergency, attach a 9[V] battery with the "+" pole to the red LED.

Turn the lever counter-clockwise to unlock the cart while the 9[V] battery attached.

Pegasus Medical Concepts.

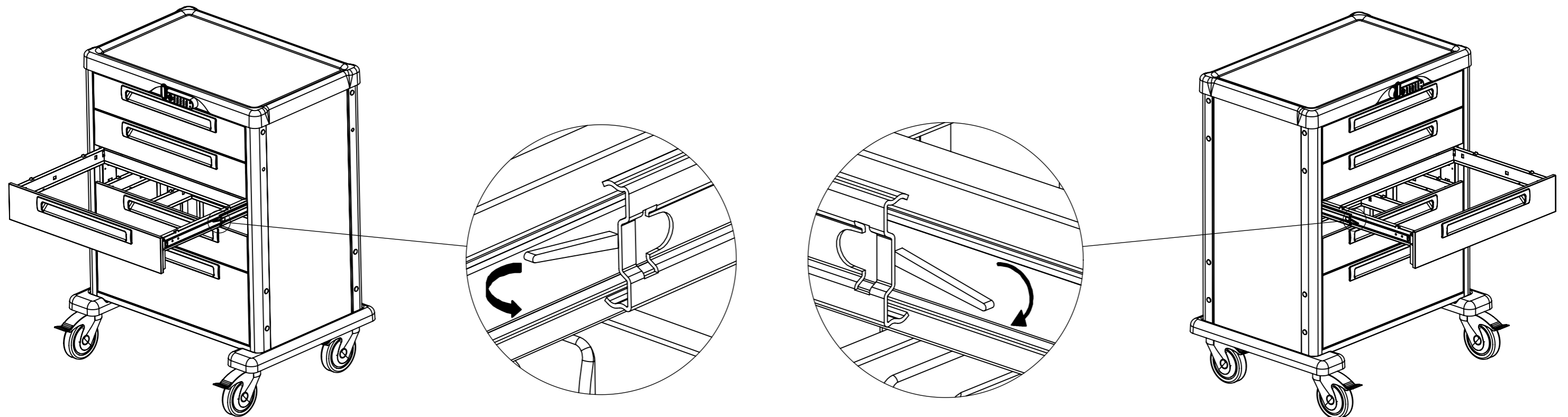
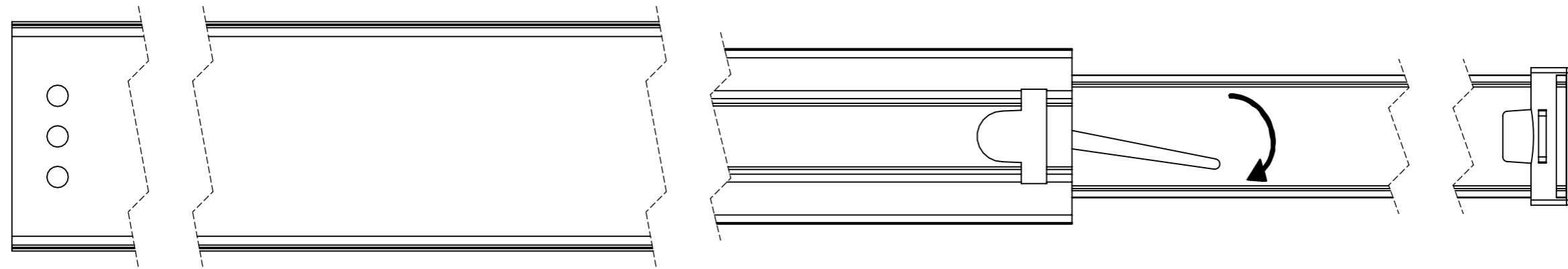


While the cart is unlocked
remove at least 3 drawers
(it will be easier to replace
the batteries without drawers at all)



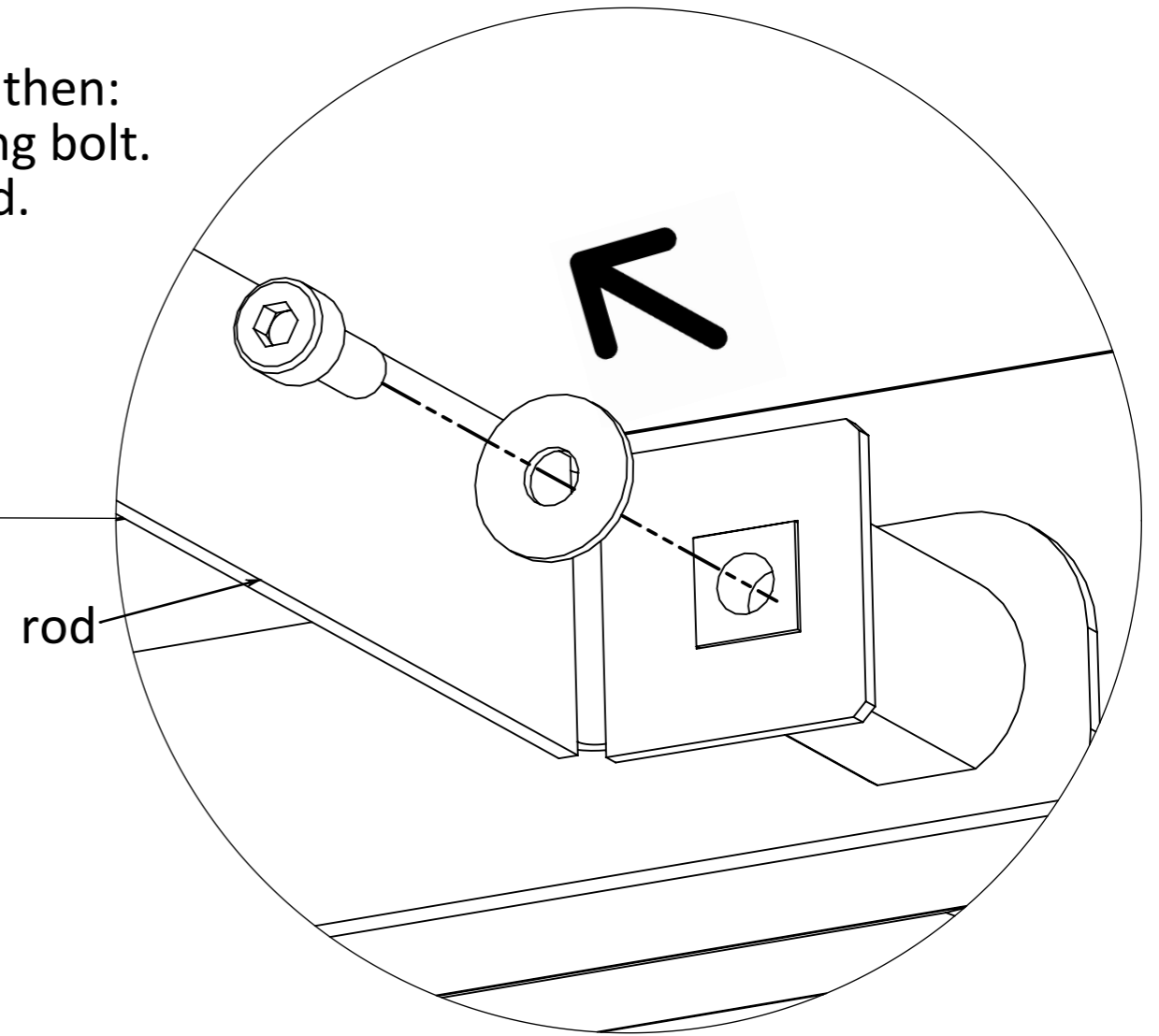
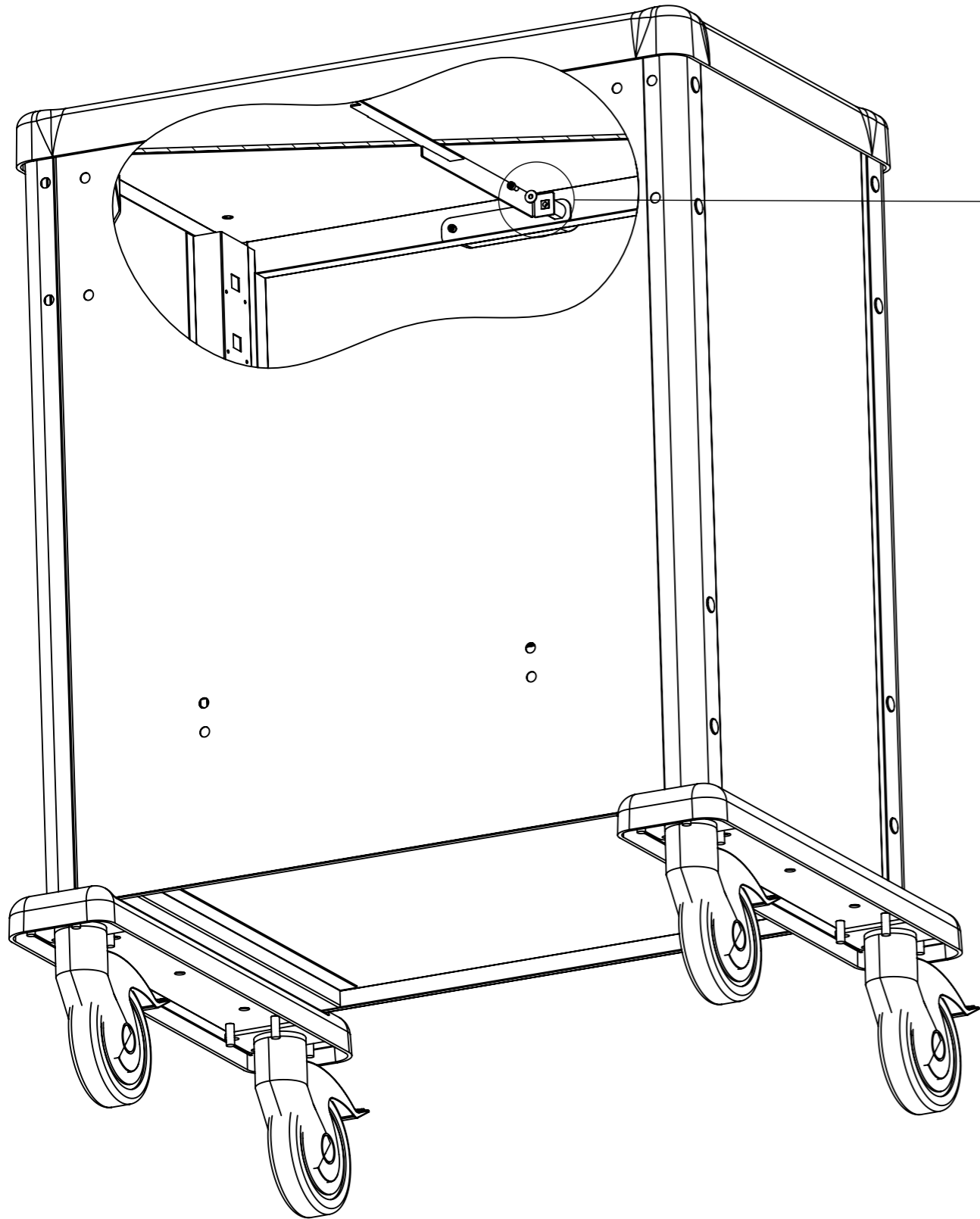
Pegasus Medical Concepts.

On every drawer's side, you'll see a grey plastic tab in the telescopic rail. Push the tab toward the free side on both telescopic sliders (the directions are opposite) and pull the drawer outside (while holding the tabs).

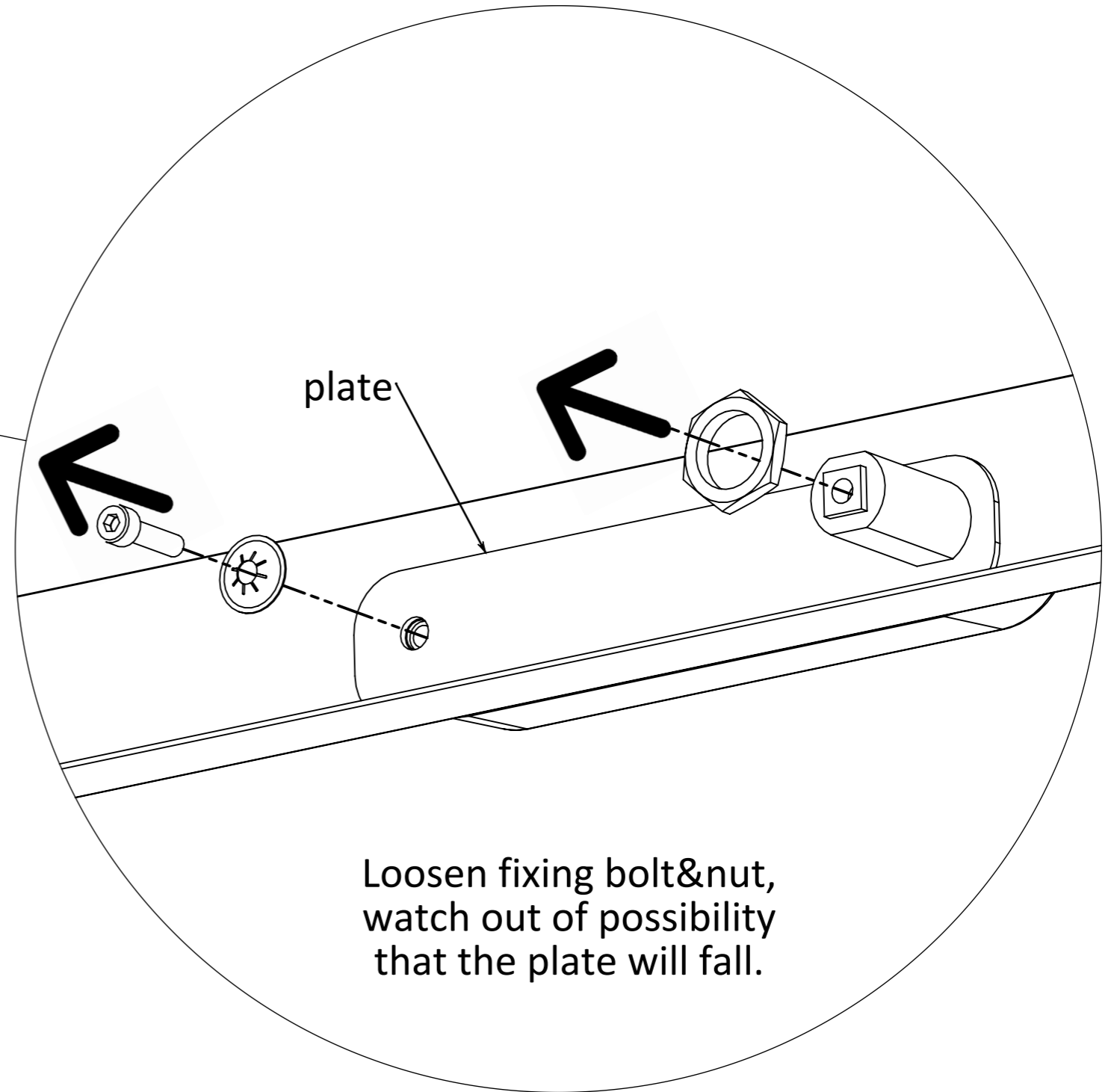
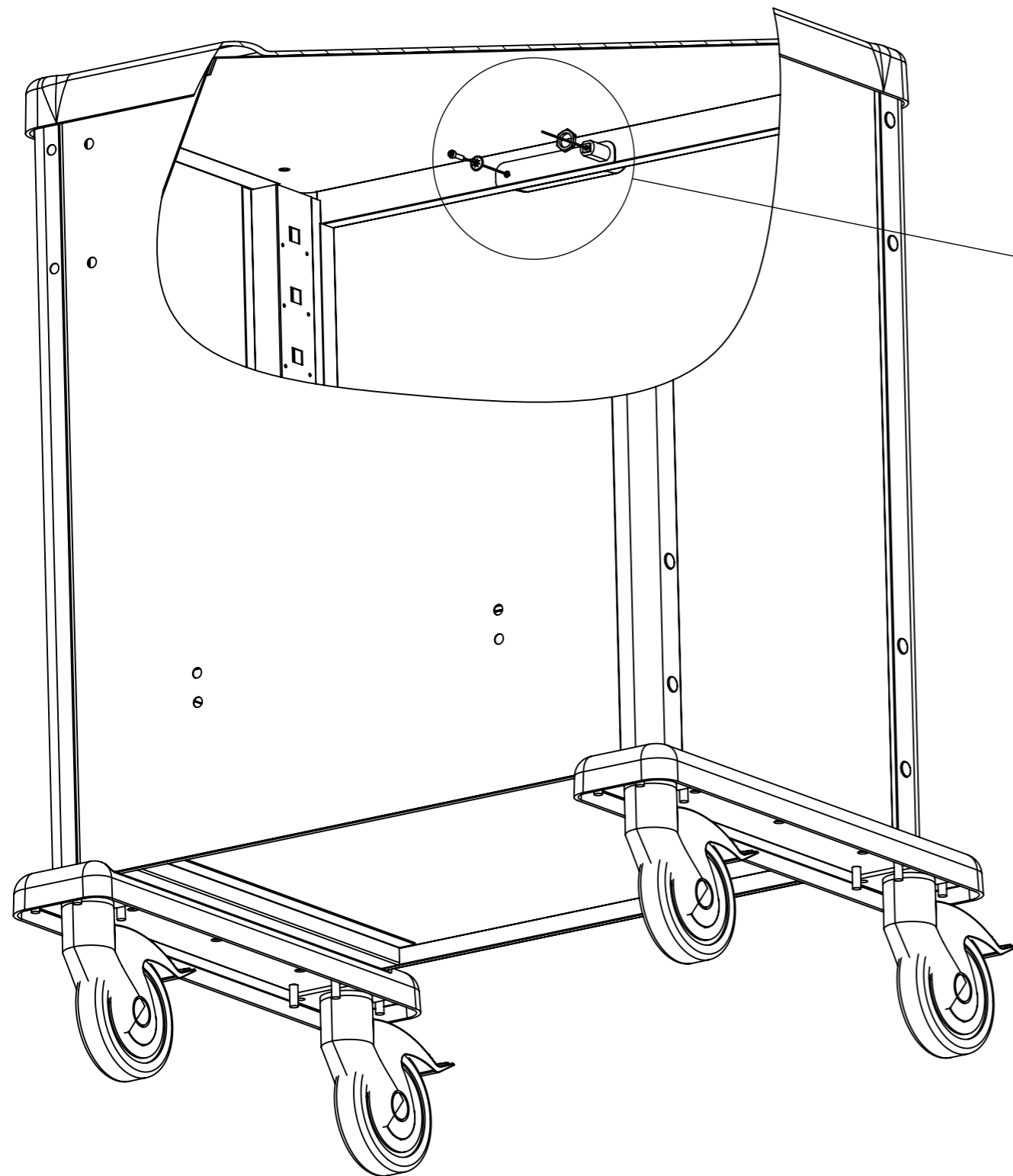


Pegasus Medical Concepts.

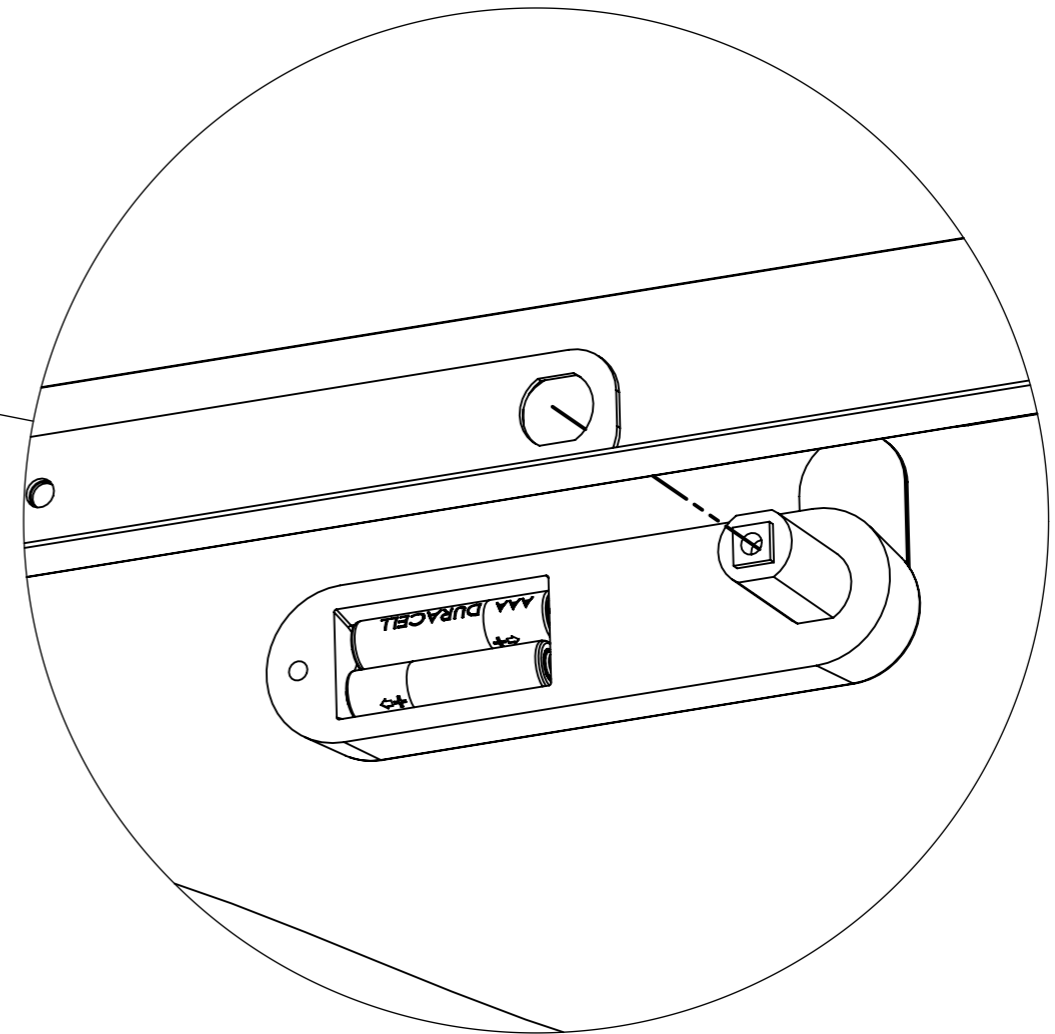
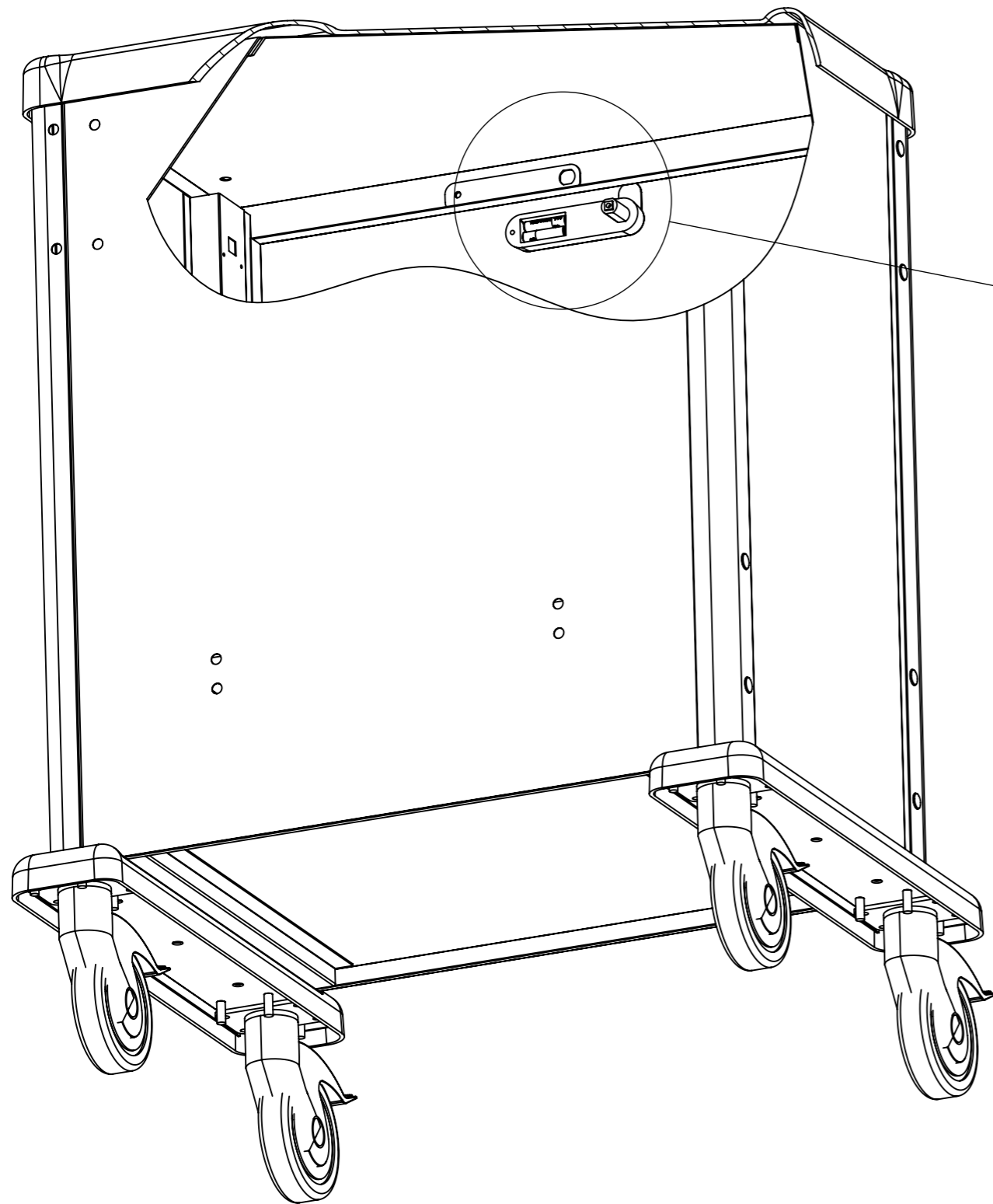
- Lock the cart back, then:
1. Loosen the fixing bolt.
 2. Remove the rod.



Pegasus Medical Concepts.

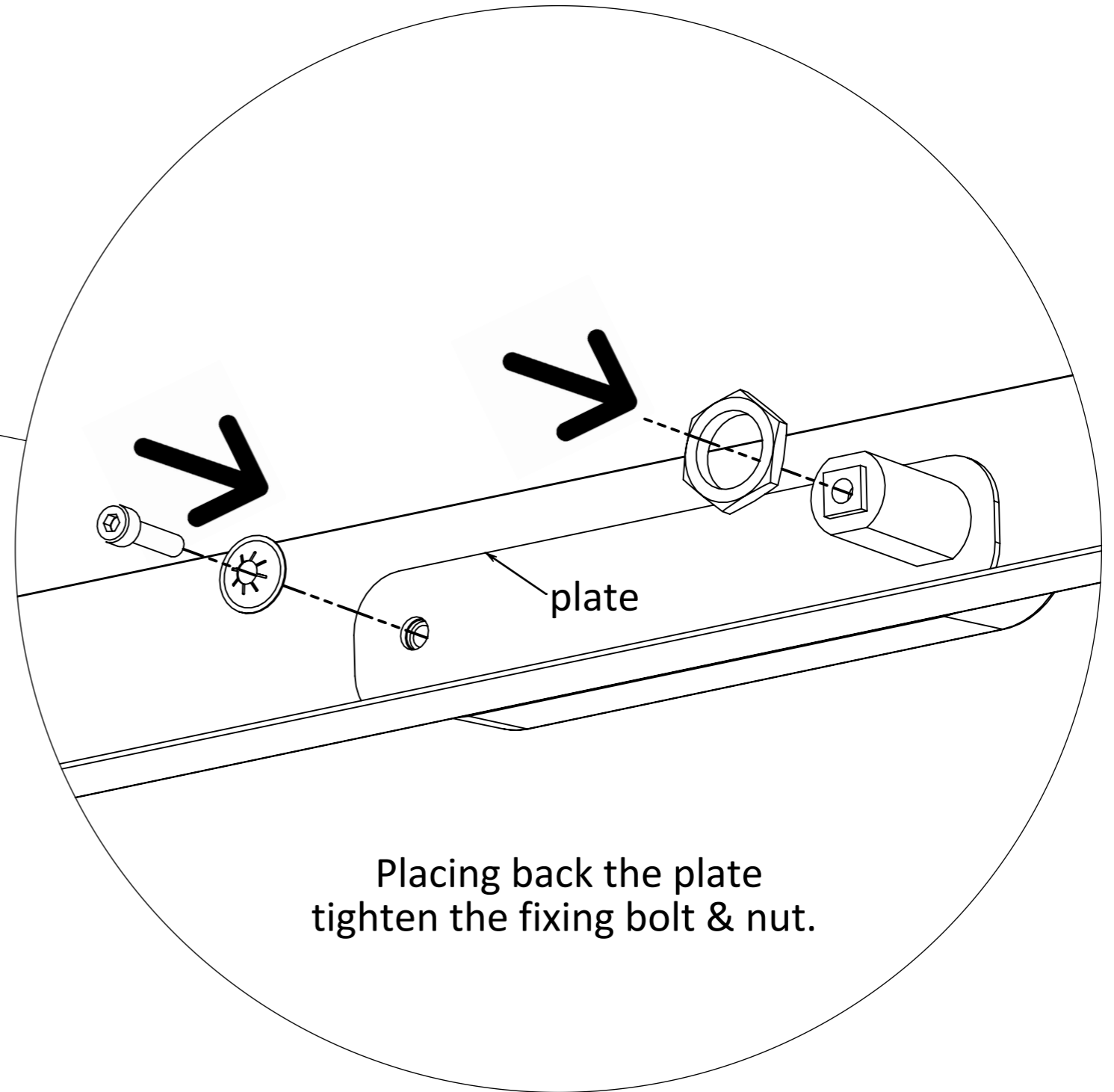
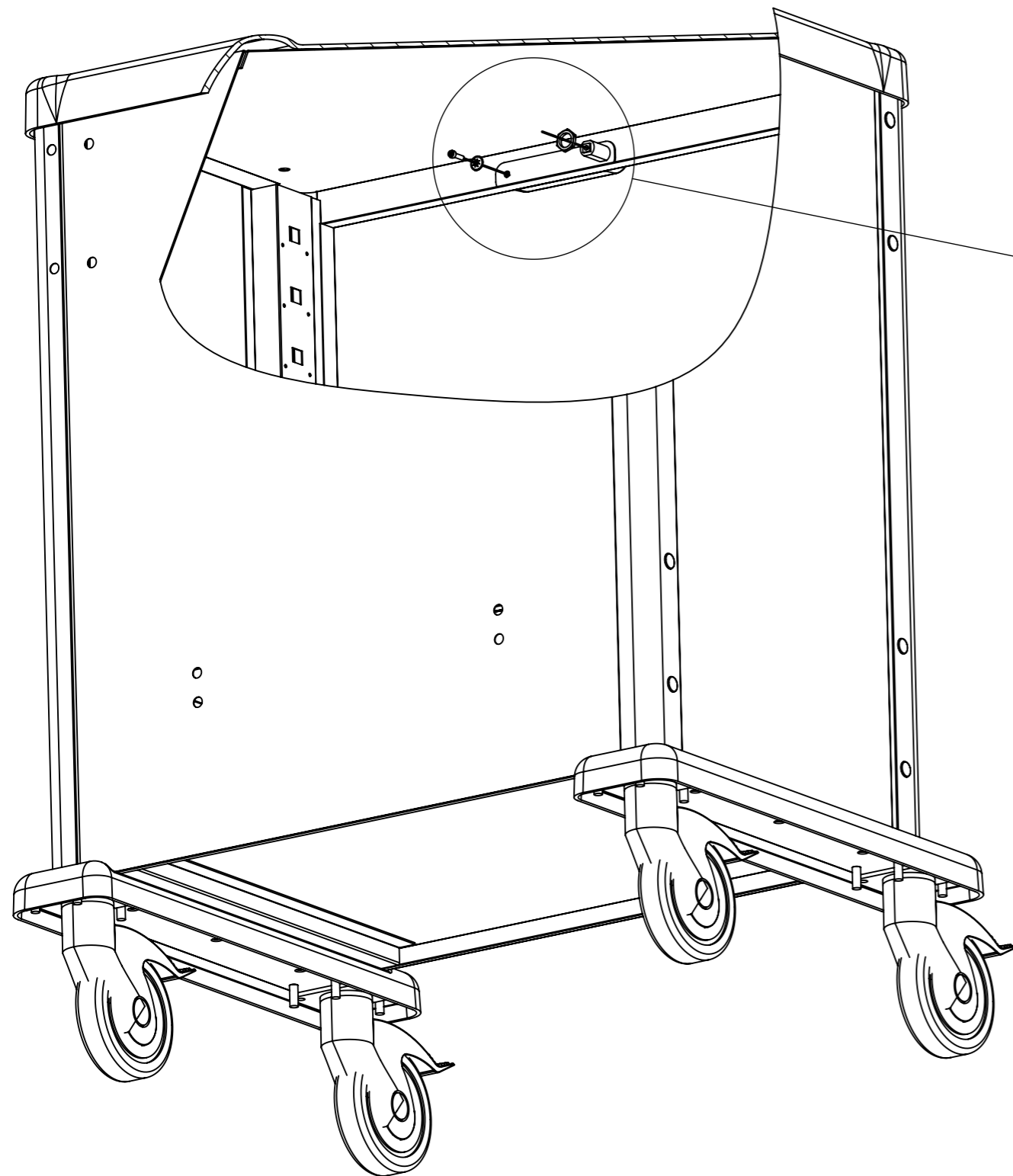


Pegasus Medical Concepts.



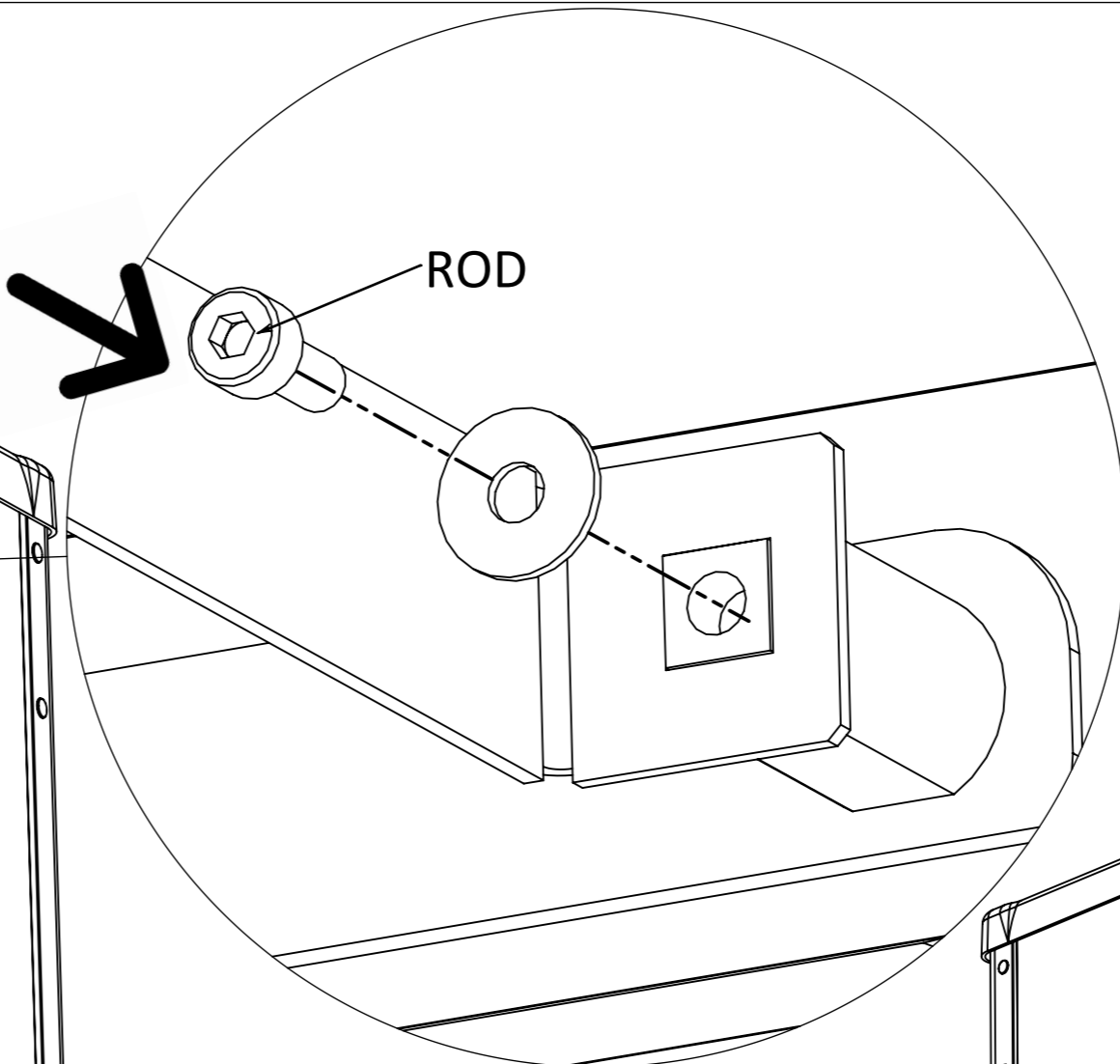
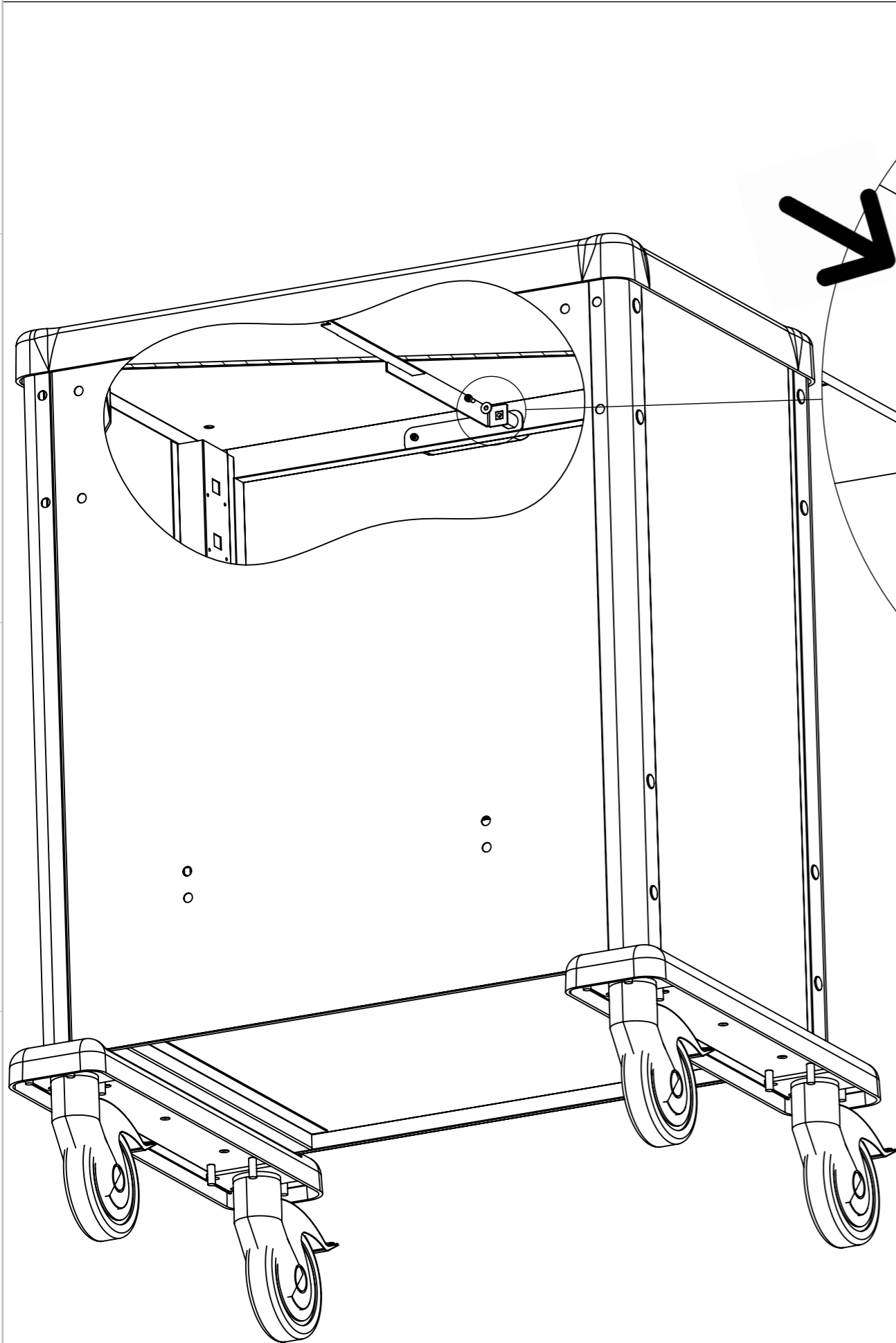
Push out the 'CODELOCK'
Replace the batteries (2x AAA)

Pegasus Medical Concepts.



Placing back the plate
tighten the fixing bolt & nut.

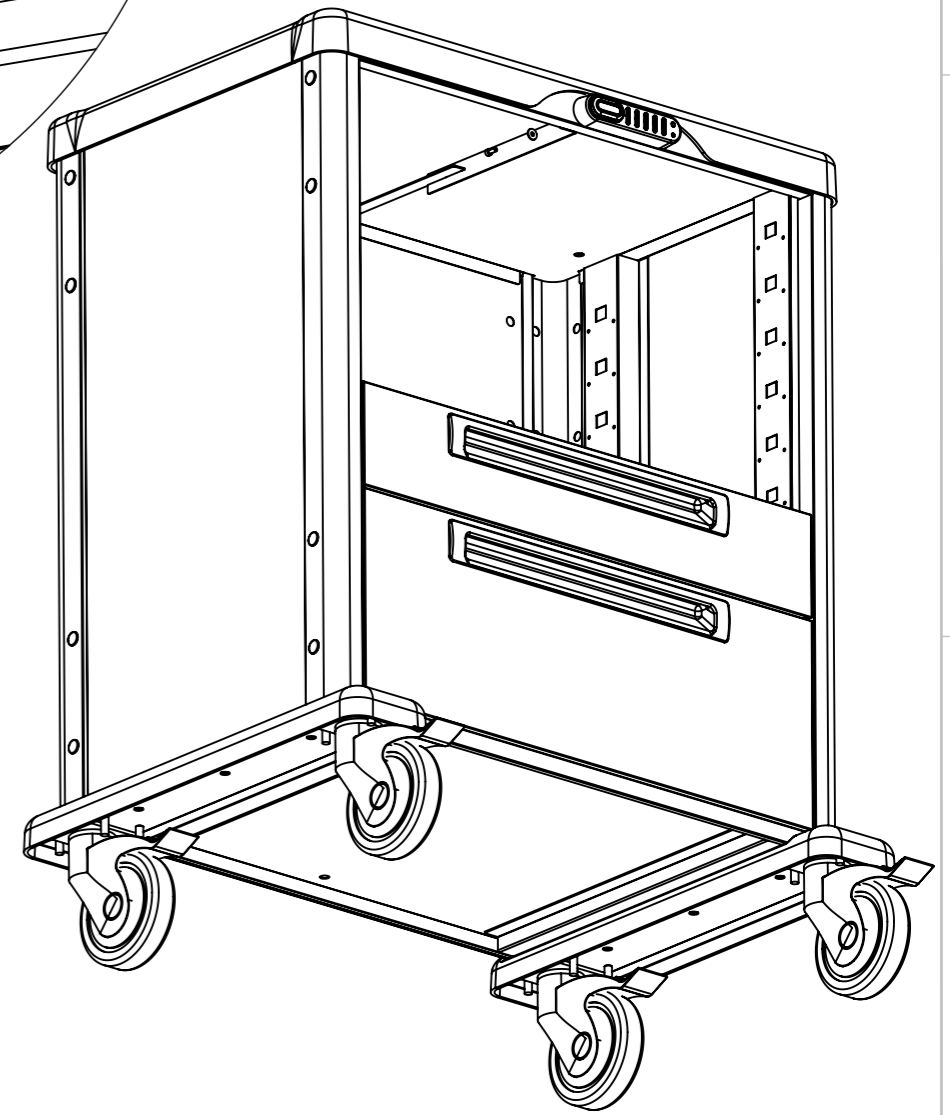
Pegasus Medical Concepts.



Make sure the lock is locked.

Connect the rod back again
and tighten with bolt+washer

**Make sure its position
is as shown in the picture.**



Pegasus Medical Concepts.



Push the removed drawers
back to place.



Cart locked.